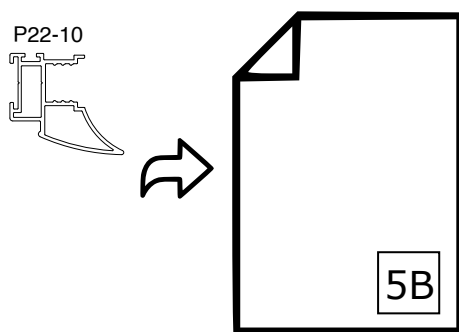
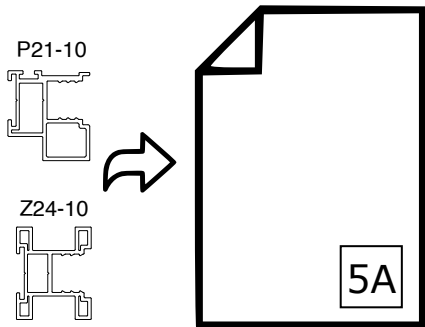
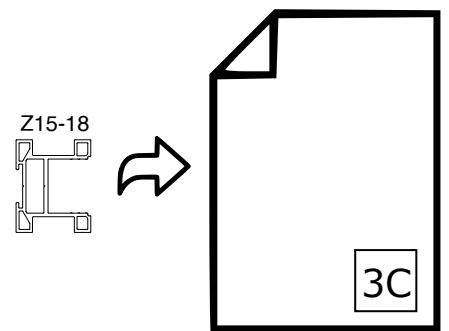
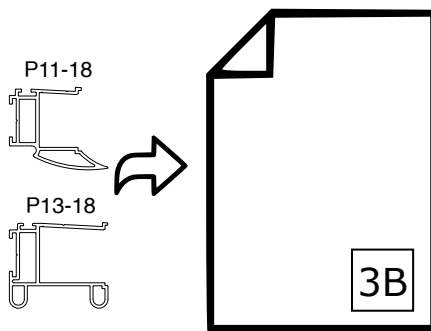
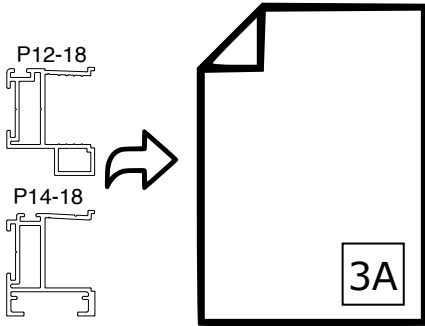
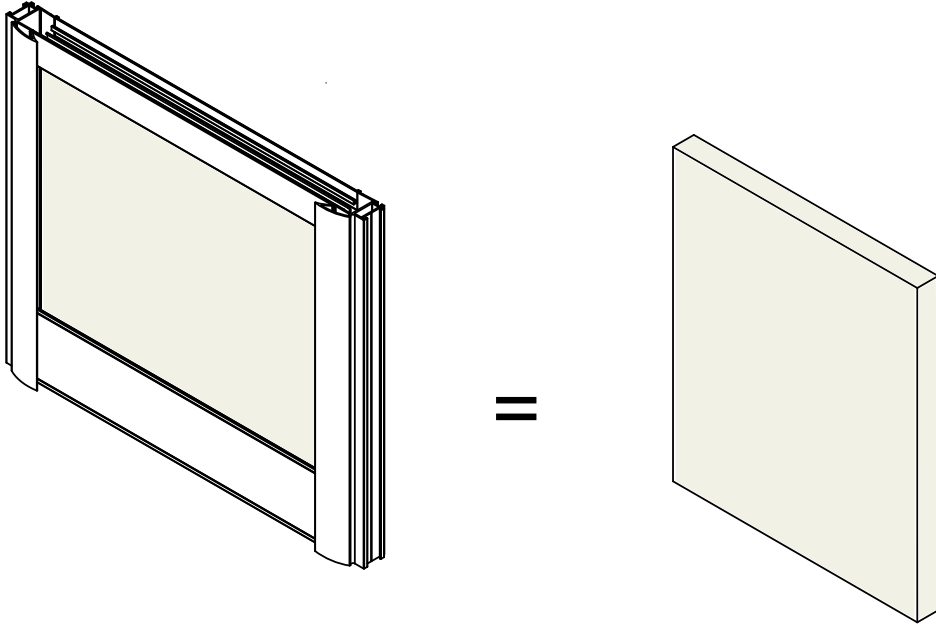
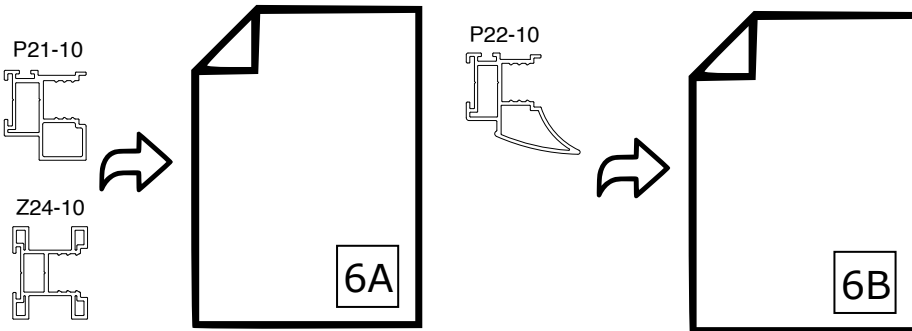
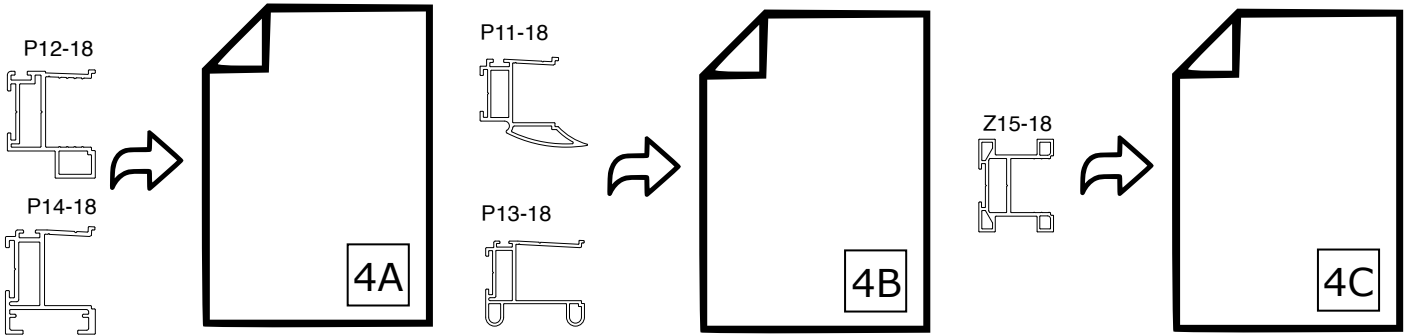
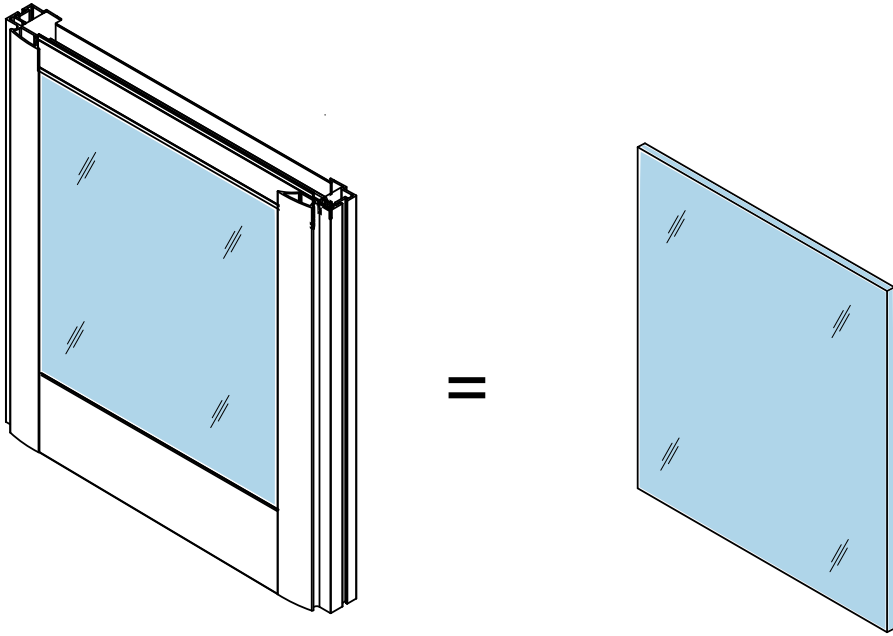


RiEx

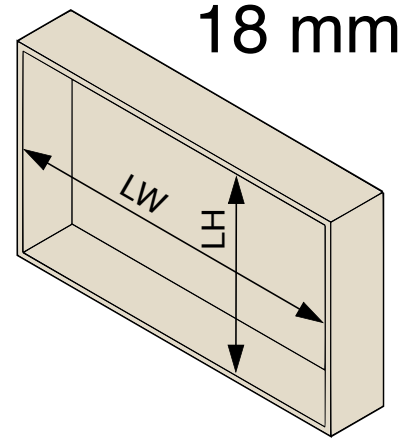
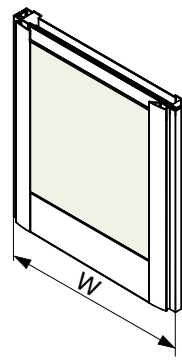
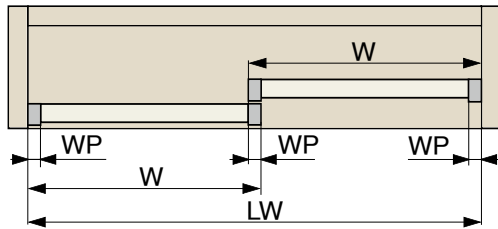


RiEx

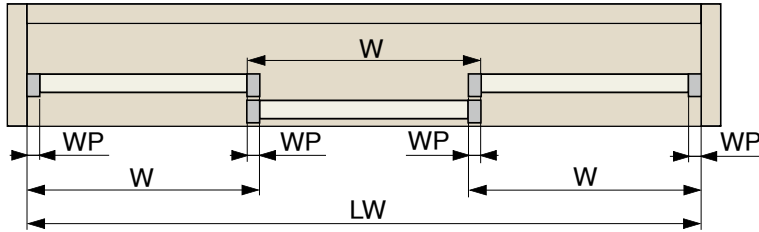


R₁EX

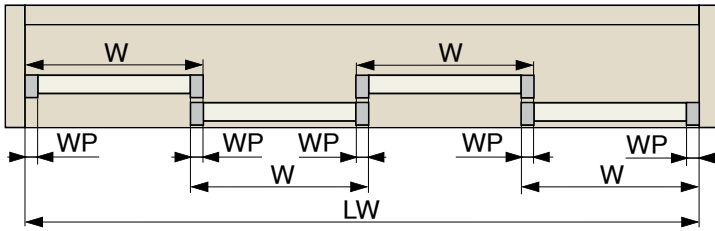
$$W = (LW + WP) / 2$$



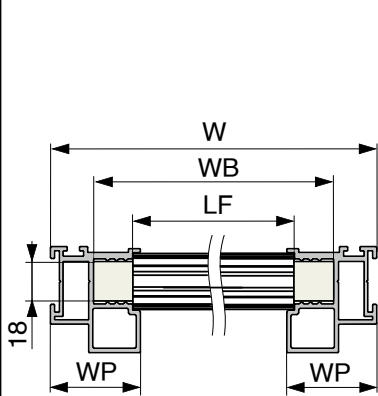
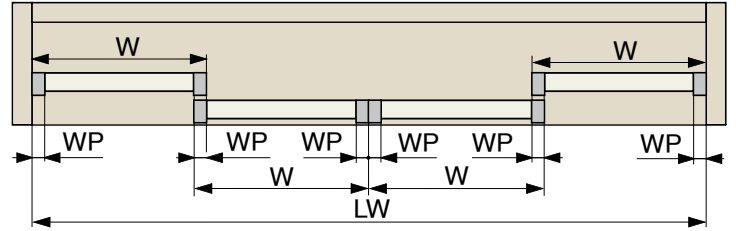
$$W = (LW + 2 \times WP) / 3$$



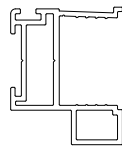
$$W = (LW + 3 \times WP) / 4$$



$$W = (LW + 2 \times WP) / 4$$

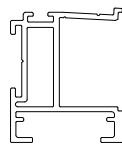


P12-18

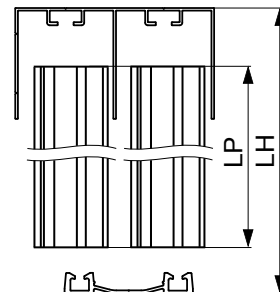
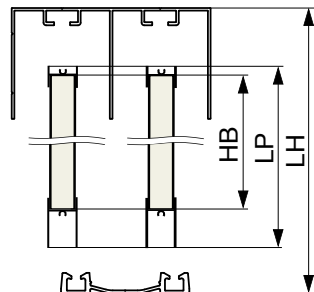
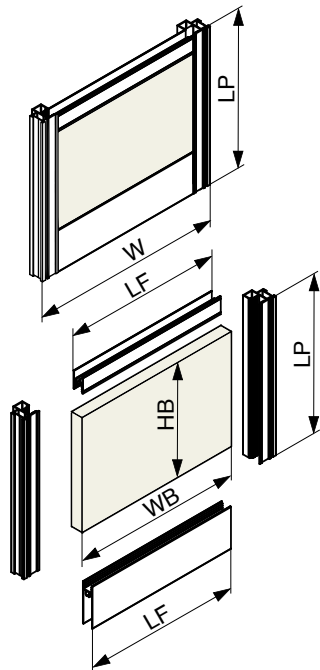


WP = 23
WB = W - 21
LF = W - 44

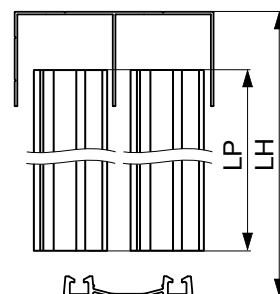
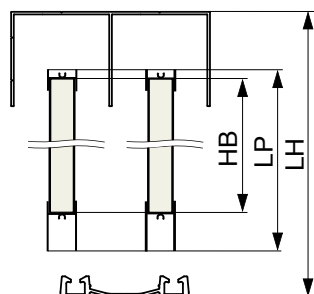
P14-18



WP = 23
WB = W - 21
LF = W - 45



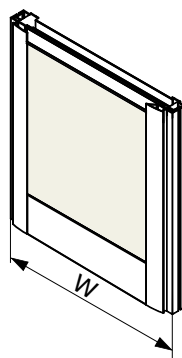
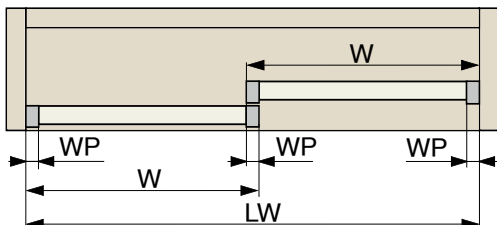
LP = LH - 49
HB = LH - 112



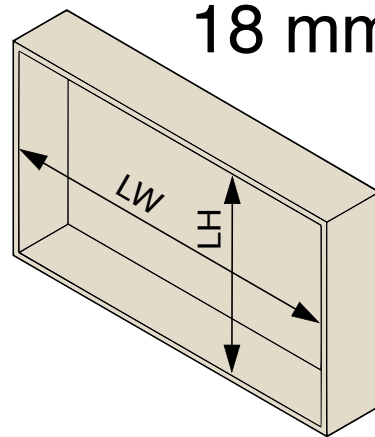
LP = LH - 44
HB = LH - 107

R₁EX

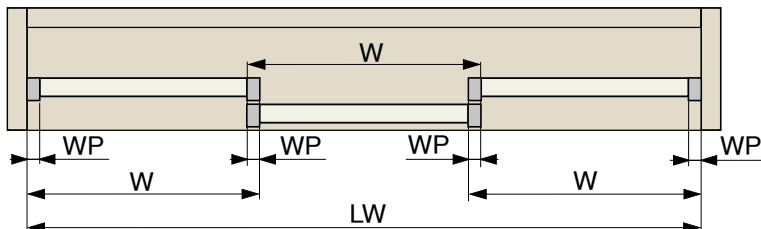
$$W = (LW + WP)/2$$



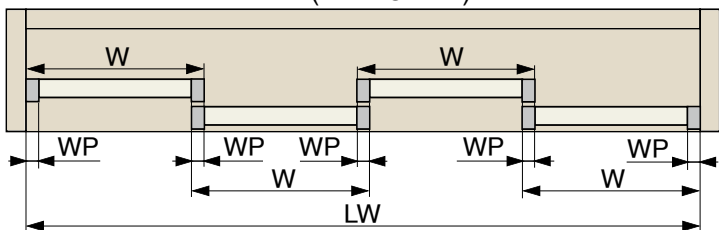
18 mm



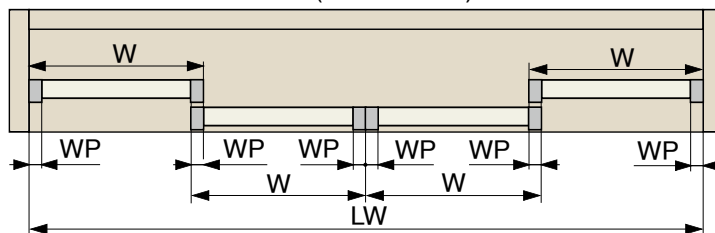
$$W = (LW + 2 \times WP)/3$$



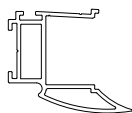
$$W = (LW + 3 \times WP)/4$$



$$W = (LW + 2 \times WP)/4$$



P11-18

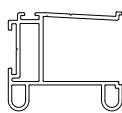


$$WP = 32$$

$$WB = W - 21$$

$$LF = W - 46$$

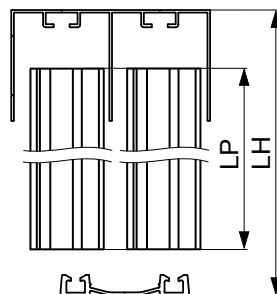
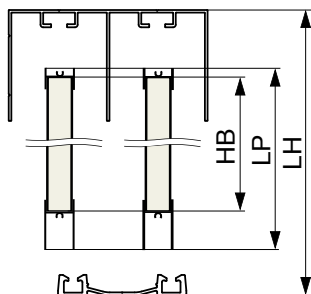
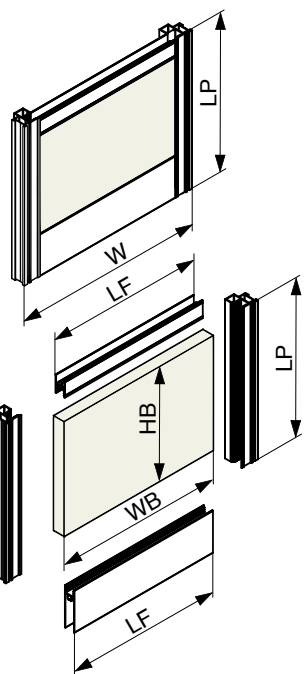
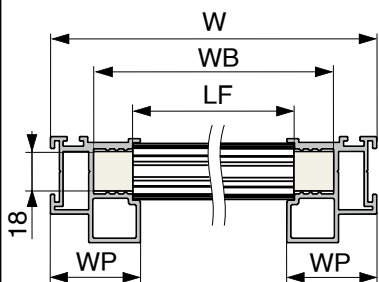
P13-18



$$WP = 32$$

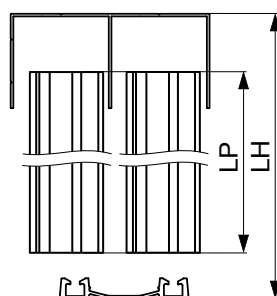
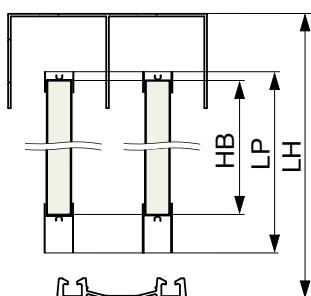
$$WB = W - 21$$

$$LF = W - 64$$



$$LP = LH - 49$$

$$HB = LH - 112$$

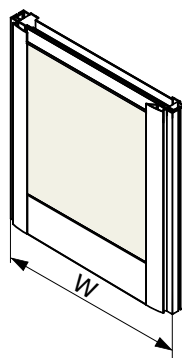
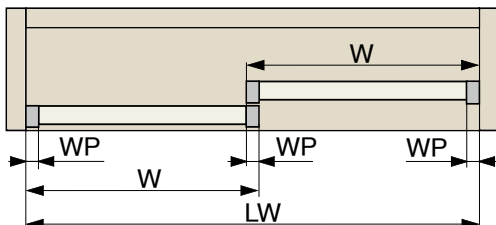


$$LP = LH - 44$$

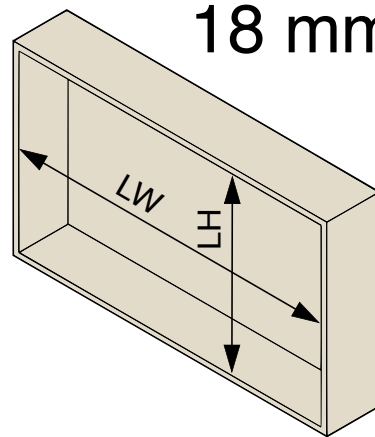
$$HB = LH - 107$$

R₁EX

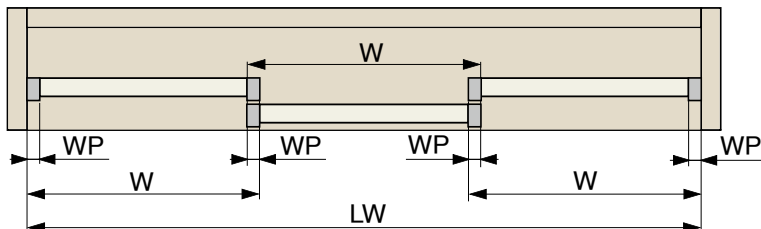
$$W = (LW + WP)/2$$



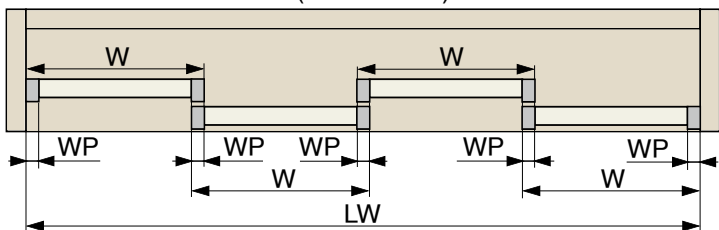
18 mm



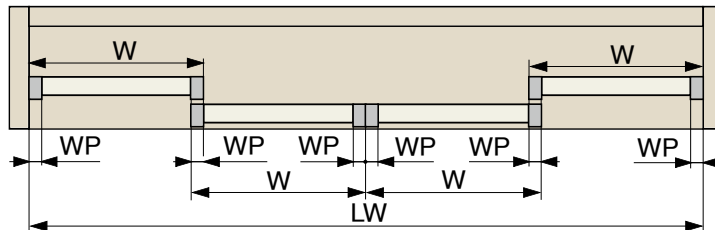
$$W = (LW + 2*WP)/3$$



$$W = (LW + 3*WP)/4$$

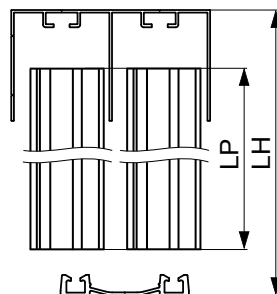
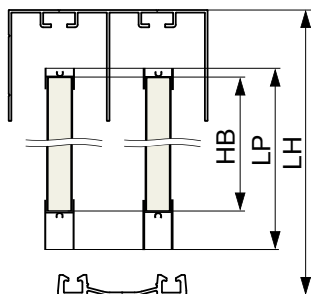
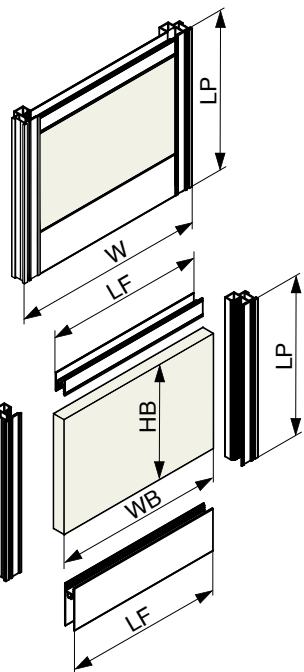
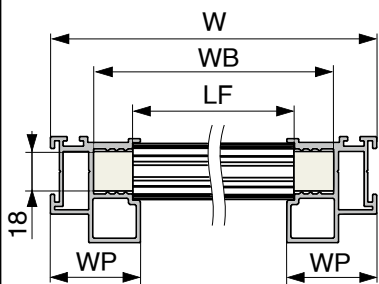


$$W = (LW + 2*WP)/4$$



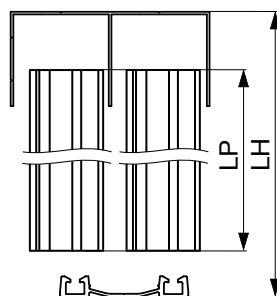
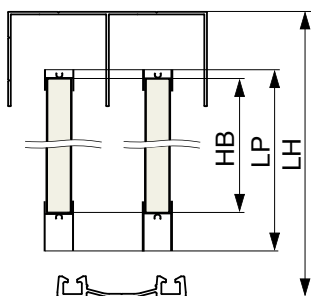
Z15-18

 WP = 26
 WB = W - 23
 LF = W - 49



$$LP = LH - 49$$

$$HB = LH - 110$$

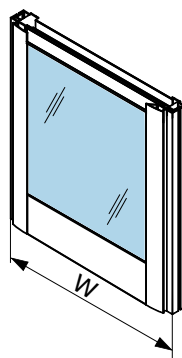
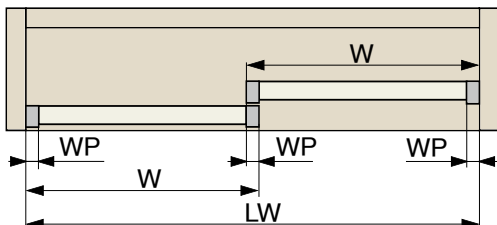


$$LP = LH - 44$$

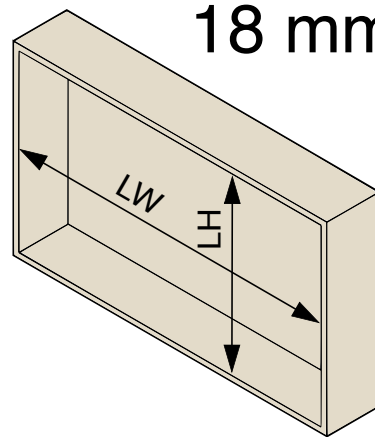
$$HB = LH - 105$$

R₁Ex

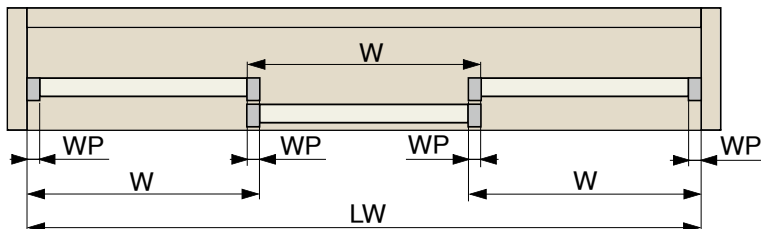
$$W = (LW + WP) / 2$$



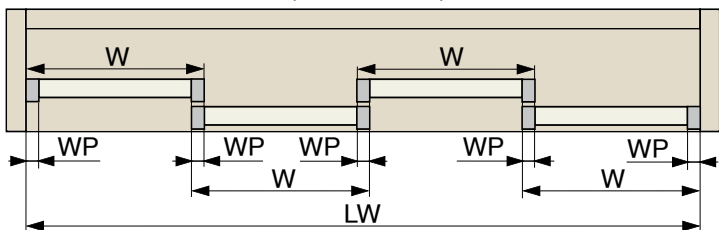
18 mm



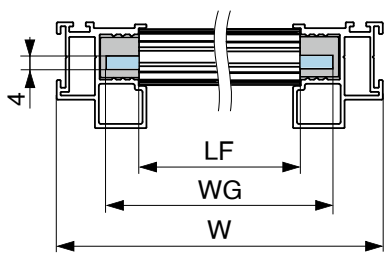
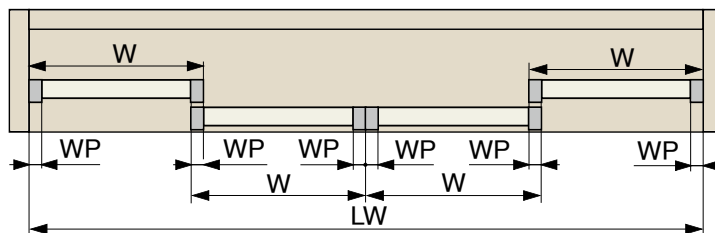
$$W = (LW + 2 \times WP) / 3$$



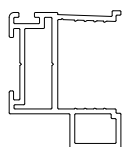
$$W = (LW + 3 \times WP) / 4$$



$$W = (LW + 2 \times WP) / 4$$

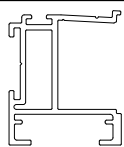


P12-18

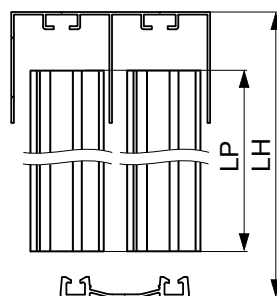
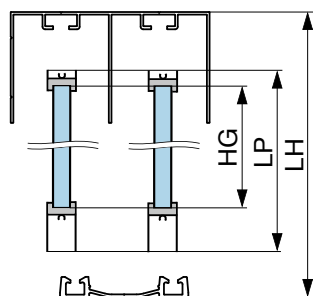
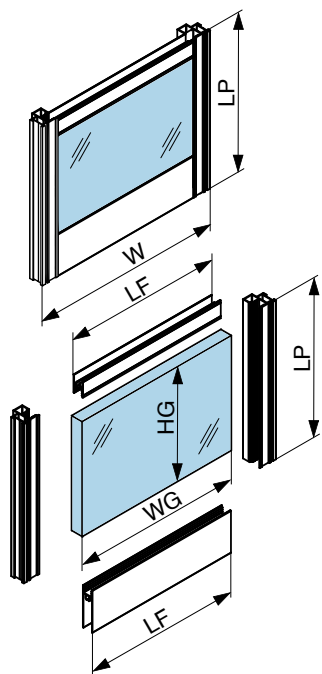


$$\begin{aligned} WP &= 23 \\ WG &= W - 25 \\ LF &= W - 44 \end{aligned}$$

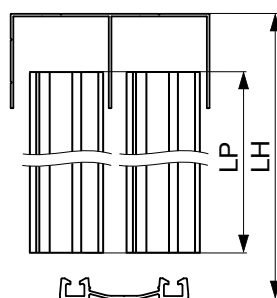
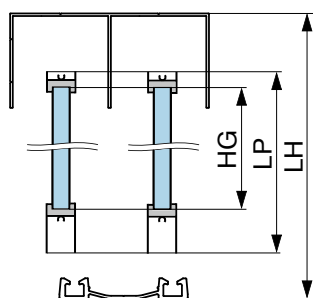
P14-18



$$\begin{aligned} WP &= 23 \\ WG &= W - 25 \\ LF &= W - 45 \end{aligned}$$



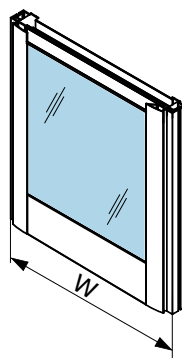
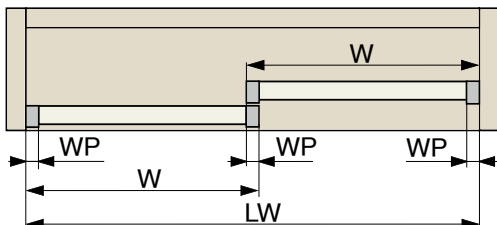
$$\begin{aligned} LP &= LH - 49 \\ HG &= LH - 118 \end{aligned}$$



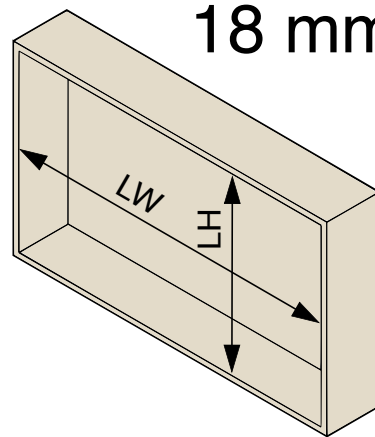
$$\begin{aligned} LP &= LH - 44 \\ HG &= LH - 113 \end{aligned}$$

R₁Ex

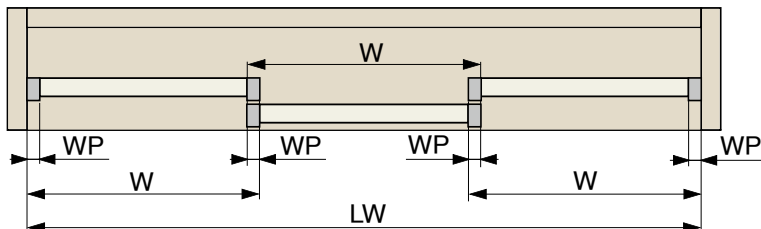
$$W = (LW + WP) / 2$$



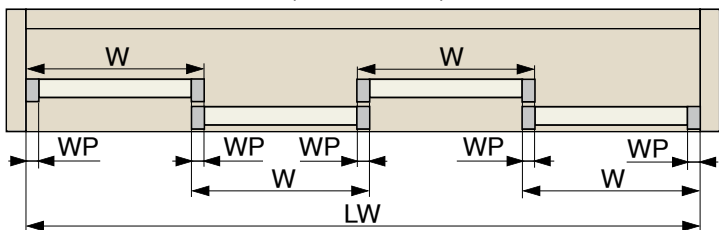
18 mm



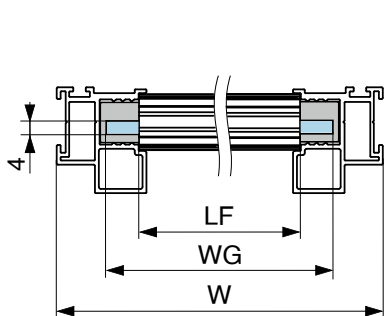
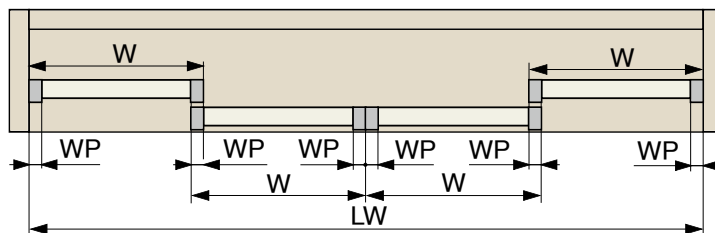
$$W = (LW + 2 \times WP) / 3$$



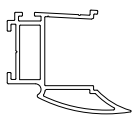
$$W = (LW + 3 \times WP) / 4$$



$$W = (LW + 2 \times WP) / 4$$



P11-18

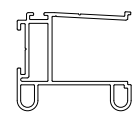


$$WP = 32$$

$$WG = W - 25$$

$$LF = W - 46$$

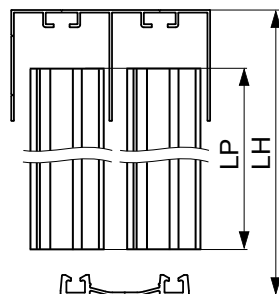
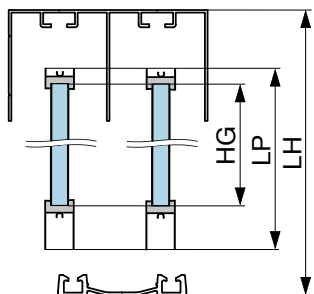
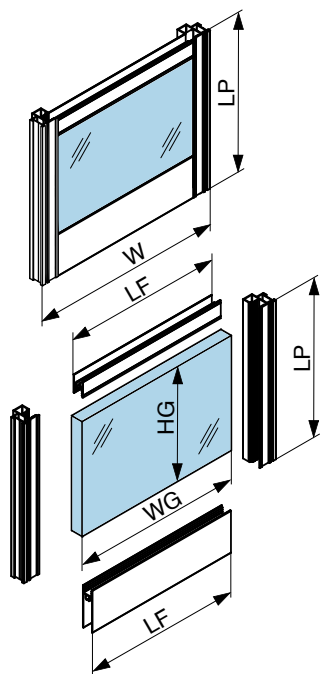
P13-18



$$WP = 32$$

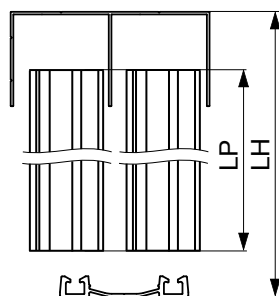
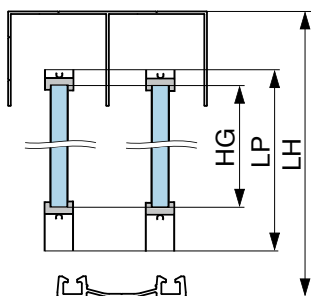
$$WG = W - 25$$

$$LF = W - 64$$



$$LP = LH - 49$$

$$HG = LH - 118$$

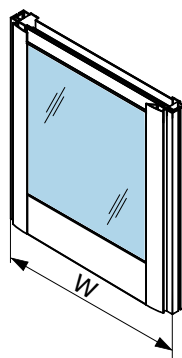
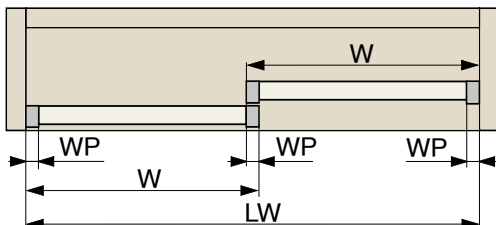


$$LP = LH - 44$$

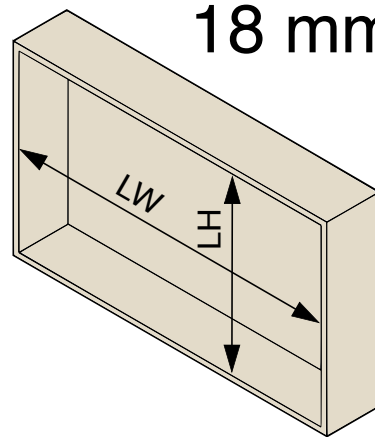
$$HG = LH - 113$$

R₁Ex

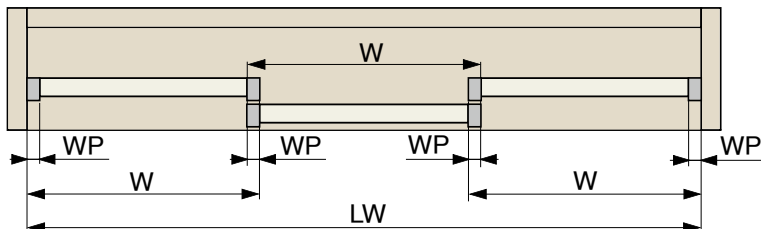
$$W = (LW + WP)/2$$



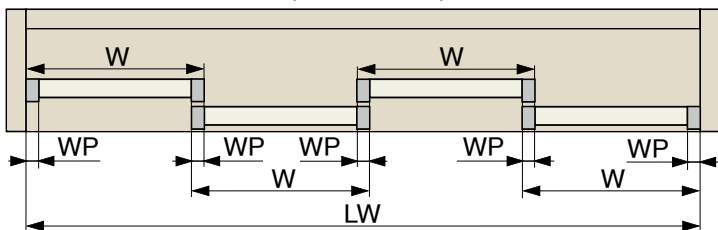
18 mm



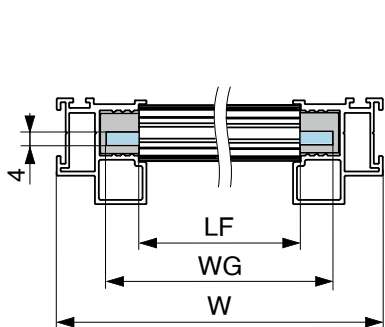
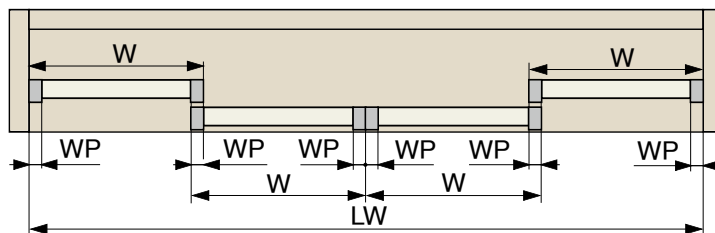
$$W = (LW + 2 \times WP)/3$$



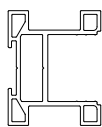
$$W = (LW + 3 \times WP)/4$$



$$W = (LW + 2 \times WP)/4$$



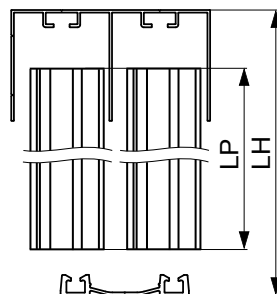
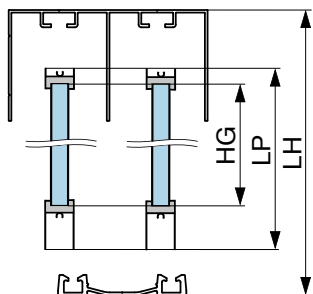
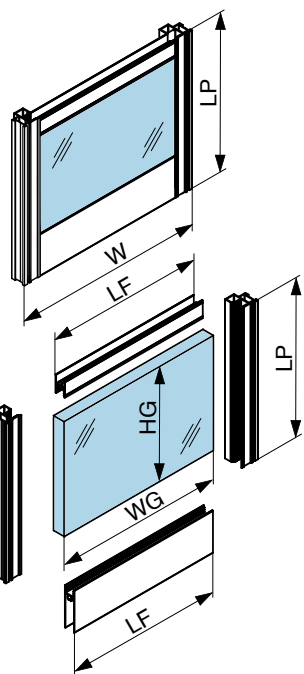
Z15-18



$$WP = 26$$

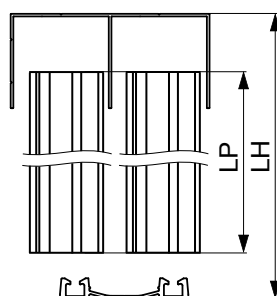
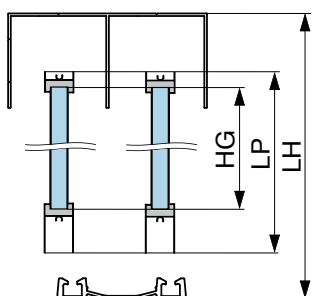
$$WG = W - 27$$

$$LF = W - 49$$



$$LP = LH - 49$$

$$HG = LH - 118$$

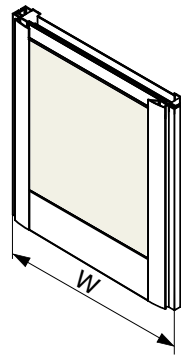
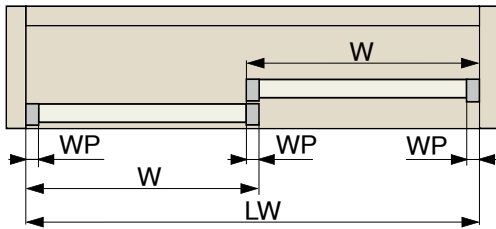


$$LP = LH - 44$$

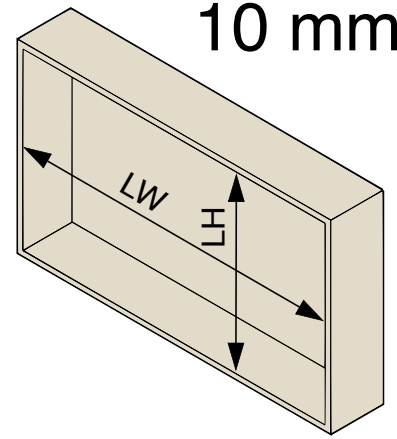
$$HG = LH - 113$$

R₁EX

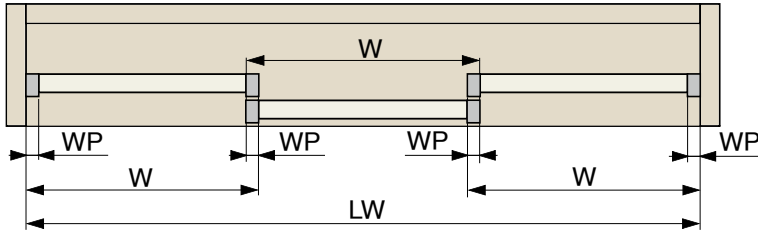
$$W = (LW + WP)/2$$



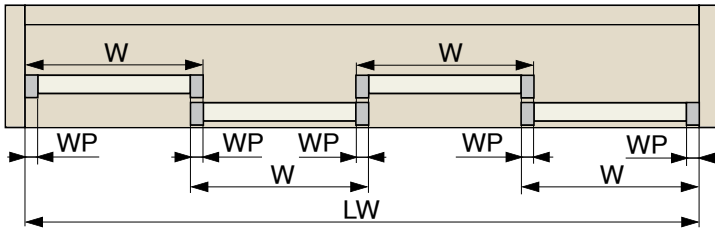
10 mm



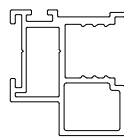
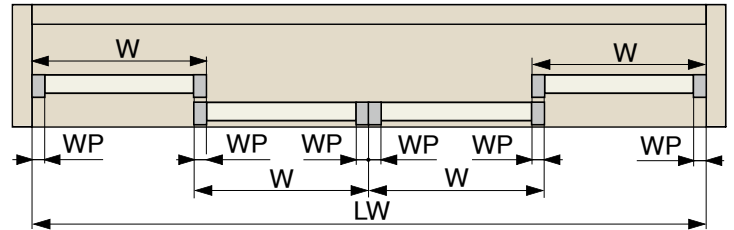
$$W = (LW + 2 \times WP)/3$$



$$W = (LW + 3 \times WP)/4$$



$$W = (LW + 2 \times WP)/4$$

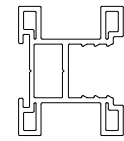


P21-10

$$WP = 23$$

$$WB = W - 23$$

$$LF = W - 42$$

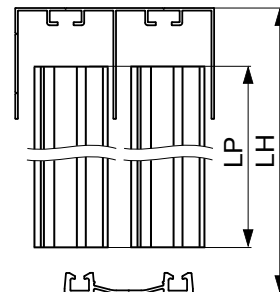
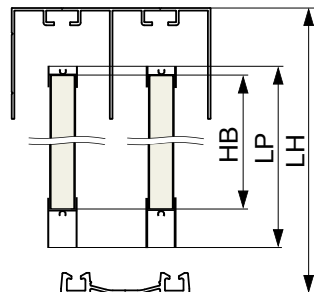
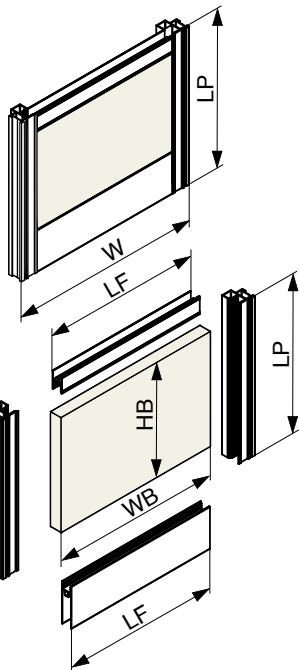
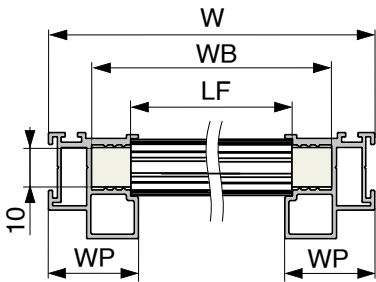


Z24-10

$$WP = 23$$

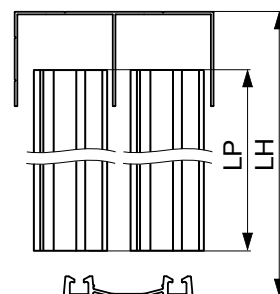
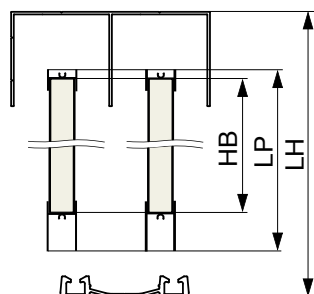
$$WB = W - 21$$

$$LF = W - 39$$



$$LP = LH - 49$$

$$HB = LH - 112$$

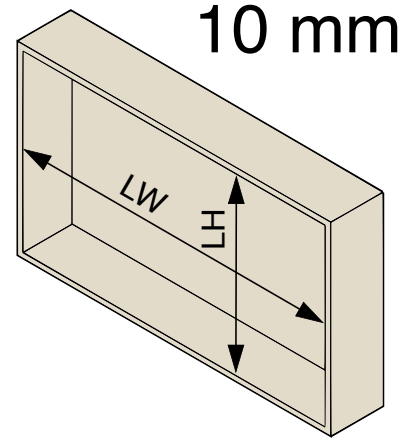
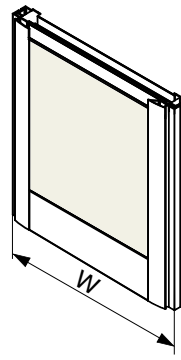
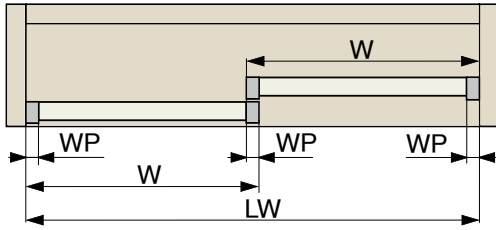


$$LP = LH - 44$$

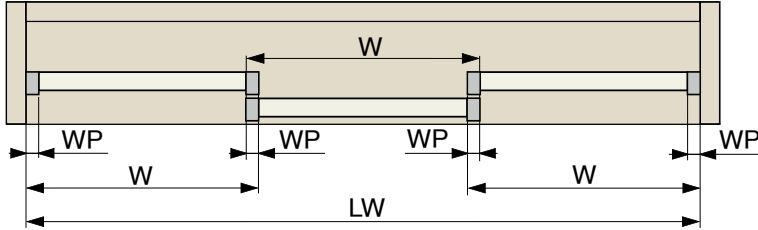
$$HB = LH - 107$$

R₁EX

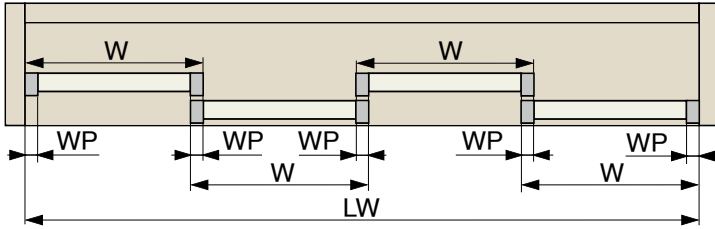
$$W = (LW + WP)/2$$



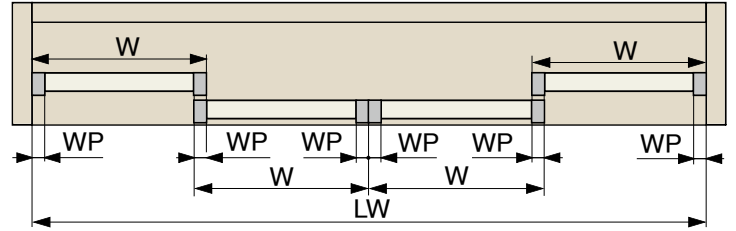
$$W = (LW + 2 \times WP)/3$$



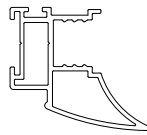
$$W = (LW + 3 \times WP)/4$$



$$W = (LW + 2 \times WP)/4$$



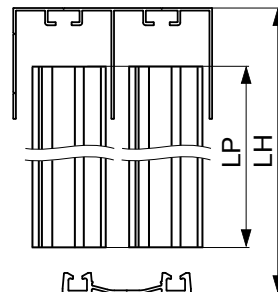
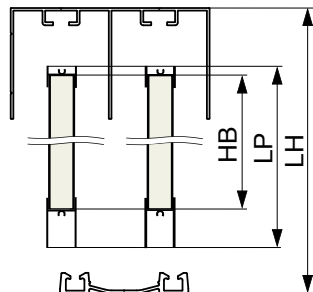
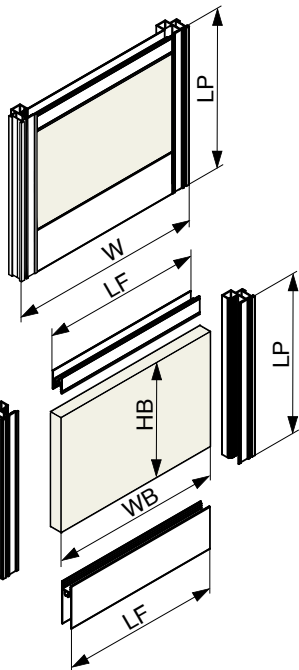
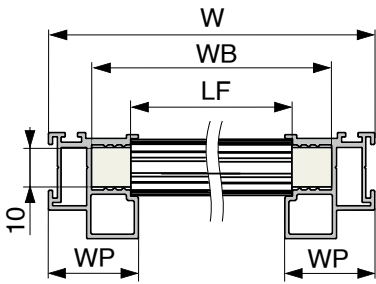
P22-10



$$WP = 32$$

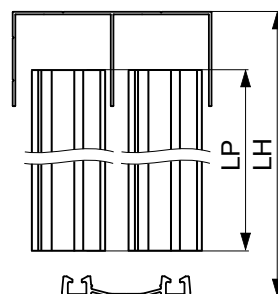
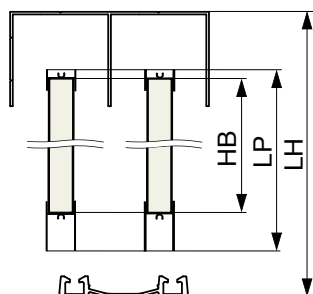
$$WB = W - 21$$

$$LF = W - 39$$



$$LP = LH - 49$$

$$HB = LH - 112$$

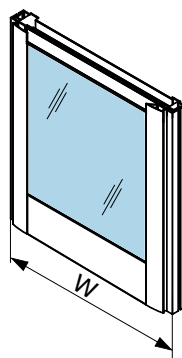
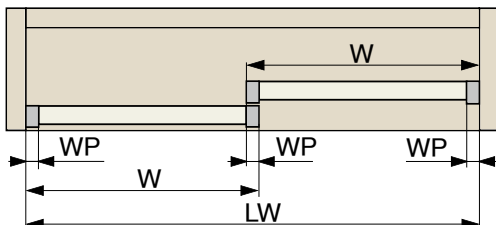


$$LP = LH - 44$$

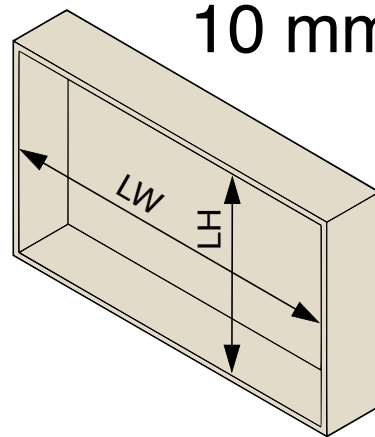
$$HB = LH - 107$$

R₁Ex

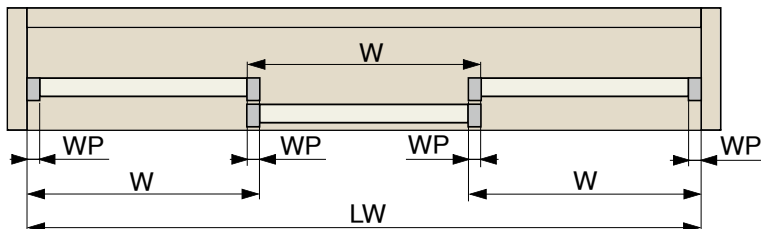
$$W = (LW + WP)/2$$



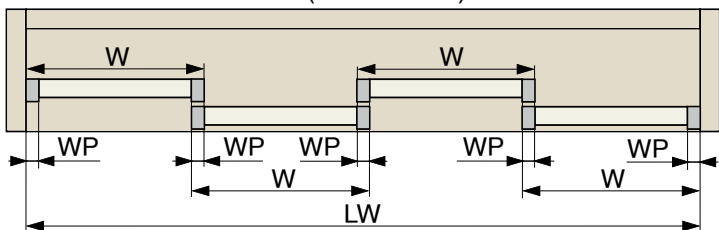
10 mm



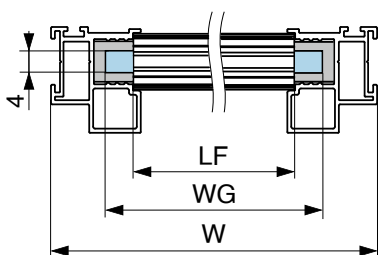
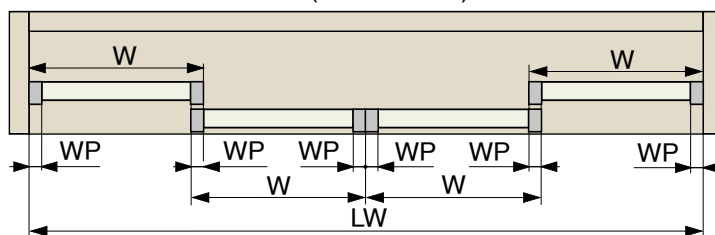
$$W = (LW + 2 \times WP)/3$$



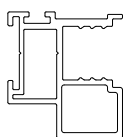
$$W = (LW + 3 \times WP)/4$$



$$W = (LW + 2 \times WP)/4$$



P21-10

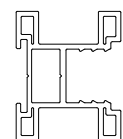


$$WP = 23$$

$$WG = W - 28$$

$$LF = W - 42$$

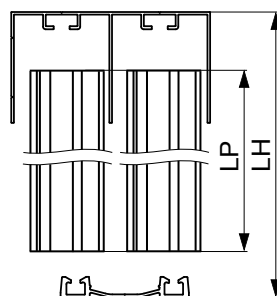
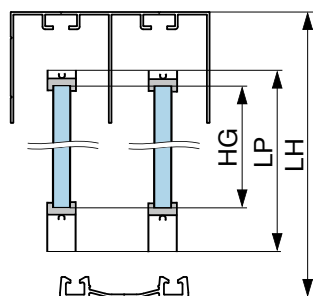
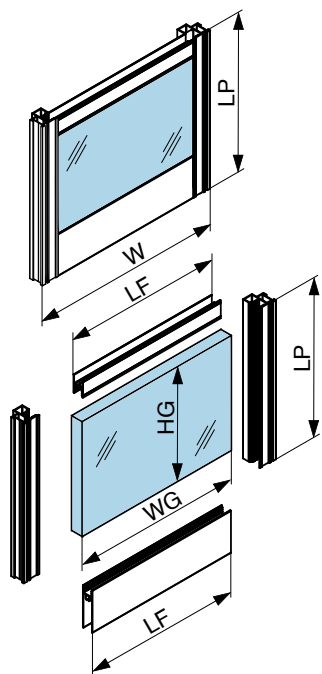
Z24-10



$$WP = 23$$

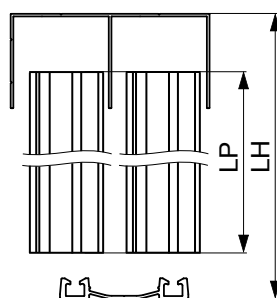
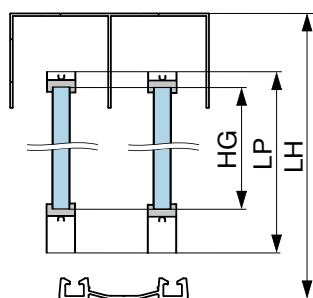
$$WG = W - 26$$

$$LF = W - 39$$



$$LP = LH - 49$$

$$HG = LH - 114$$

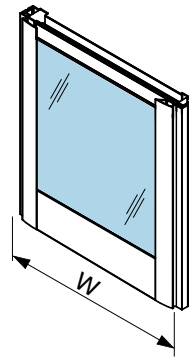
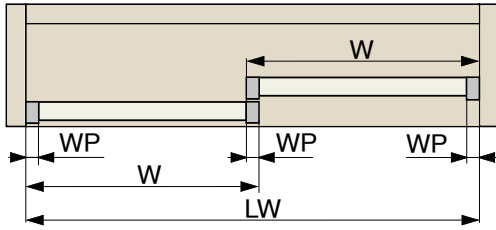


$$LP = LH - 44$$

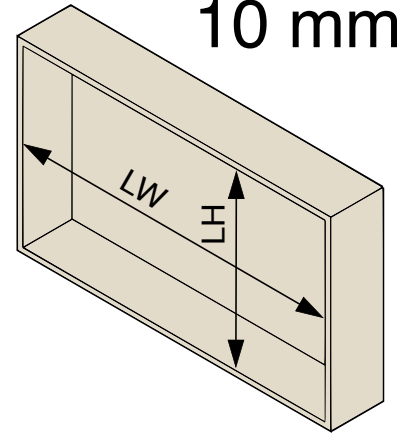
$$HG = LH - 109$$

R₁Ex

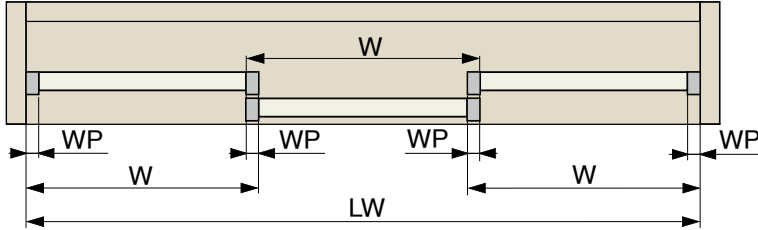
$$W = (LW + WP)/2$$



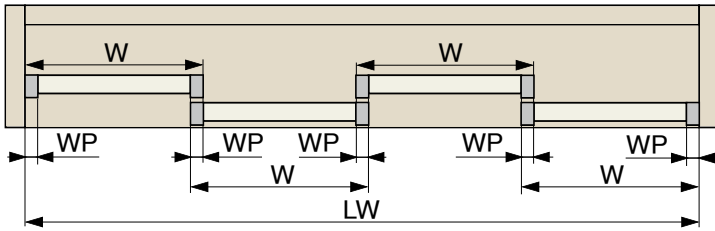
10 mm



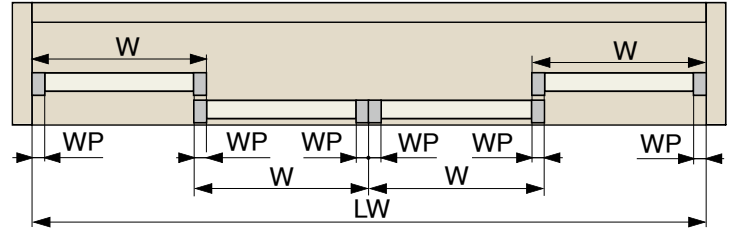
$$W = (LW + 2 \times WP)/3$$



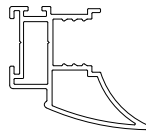
$$W = (LW + 3 \times WP)/4$$



$$W = (LW + 2 \times WP)/4$$



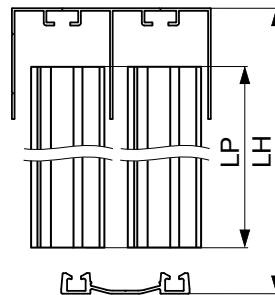
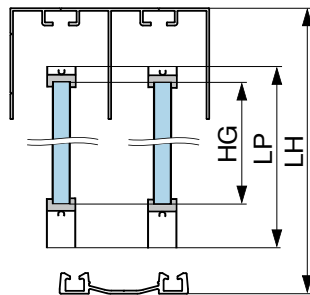
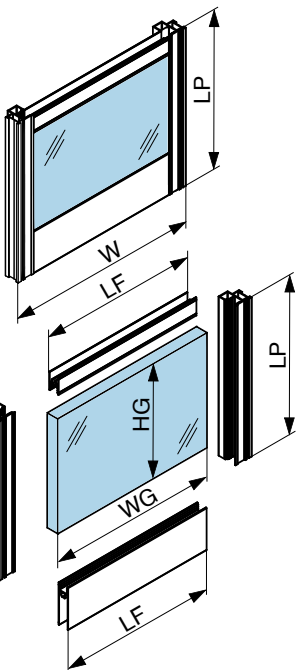
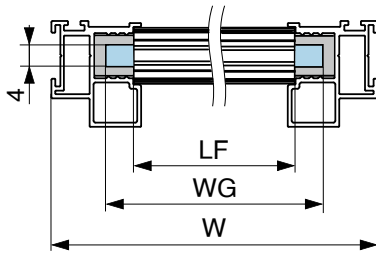
P22-10



$$WP = 32$$

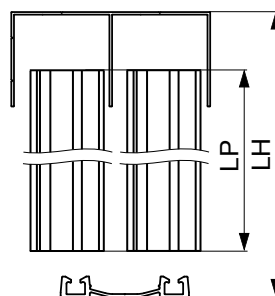
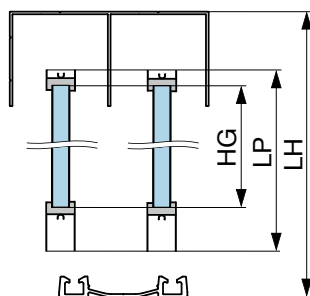
$$WG = W - 26$$

$$LF = W - 39$$



$$LP = LH - 49$$

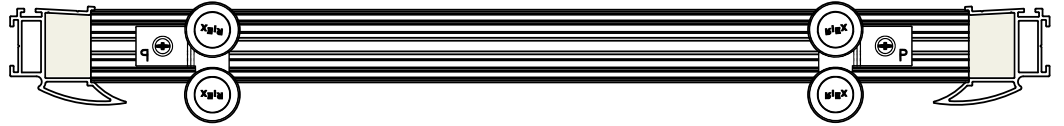
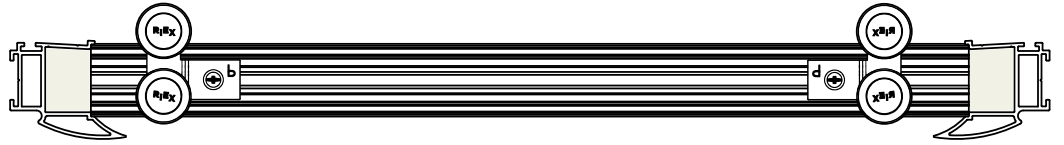
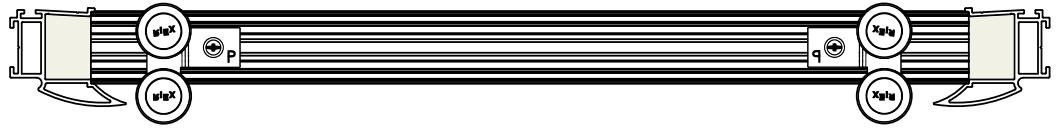
$$HG = LH - 114$$



$$LP = LH - 44$$

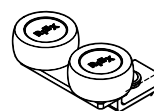
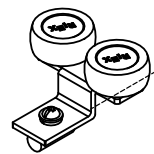
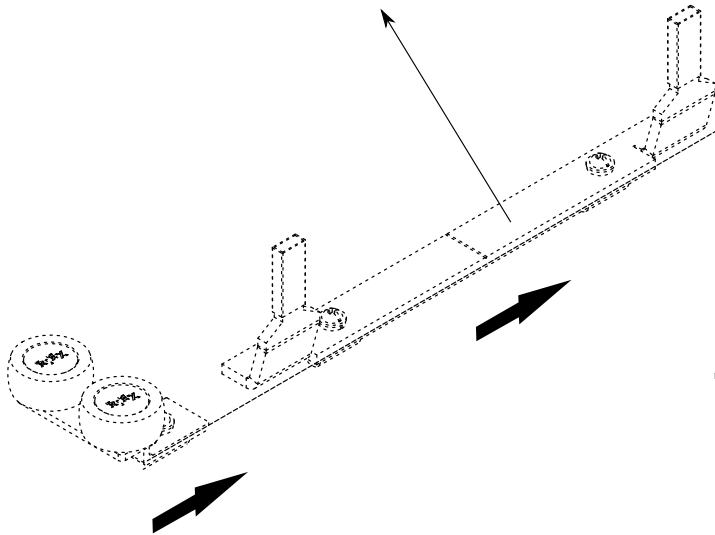
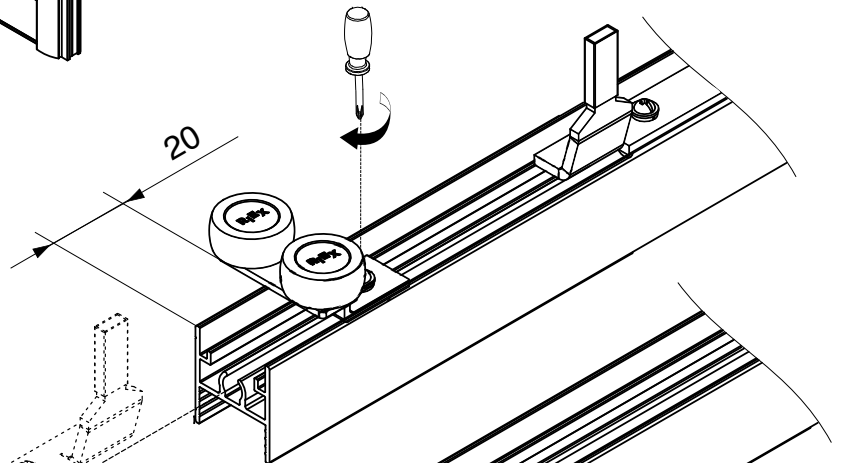
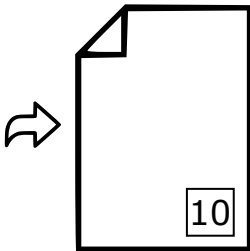
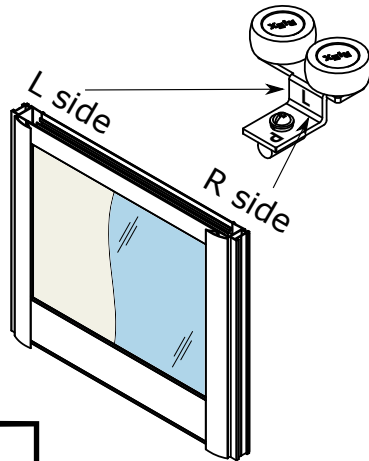
$$HG = LH - 109$$

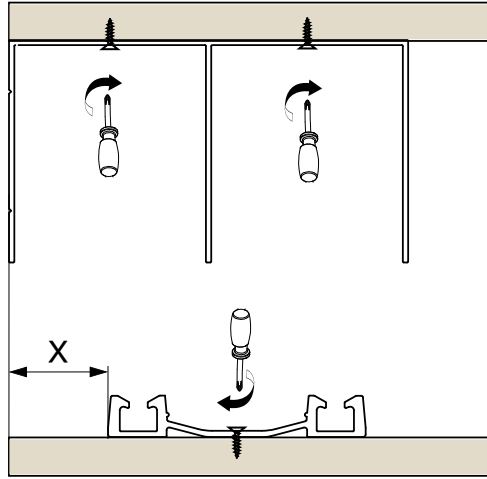
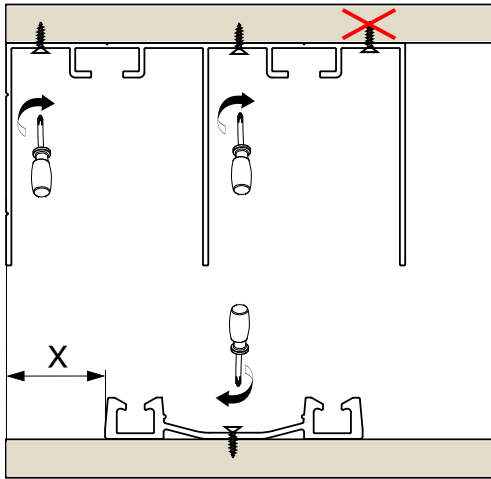
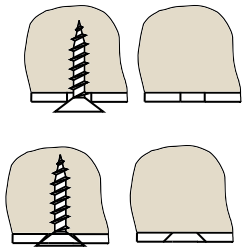
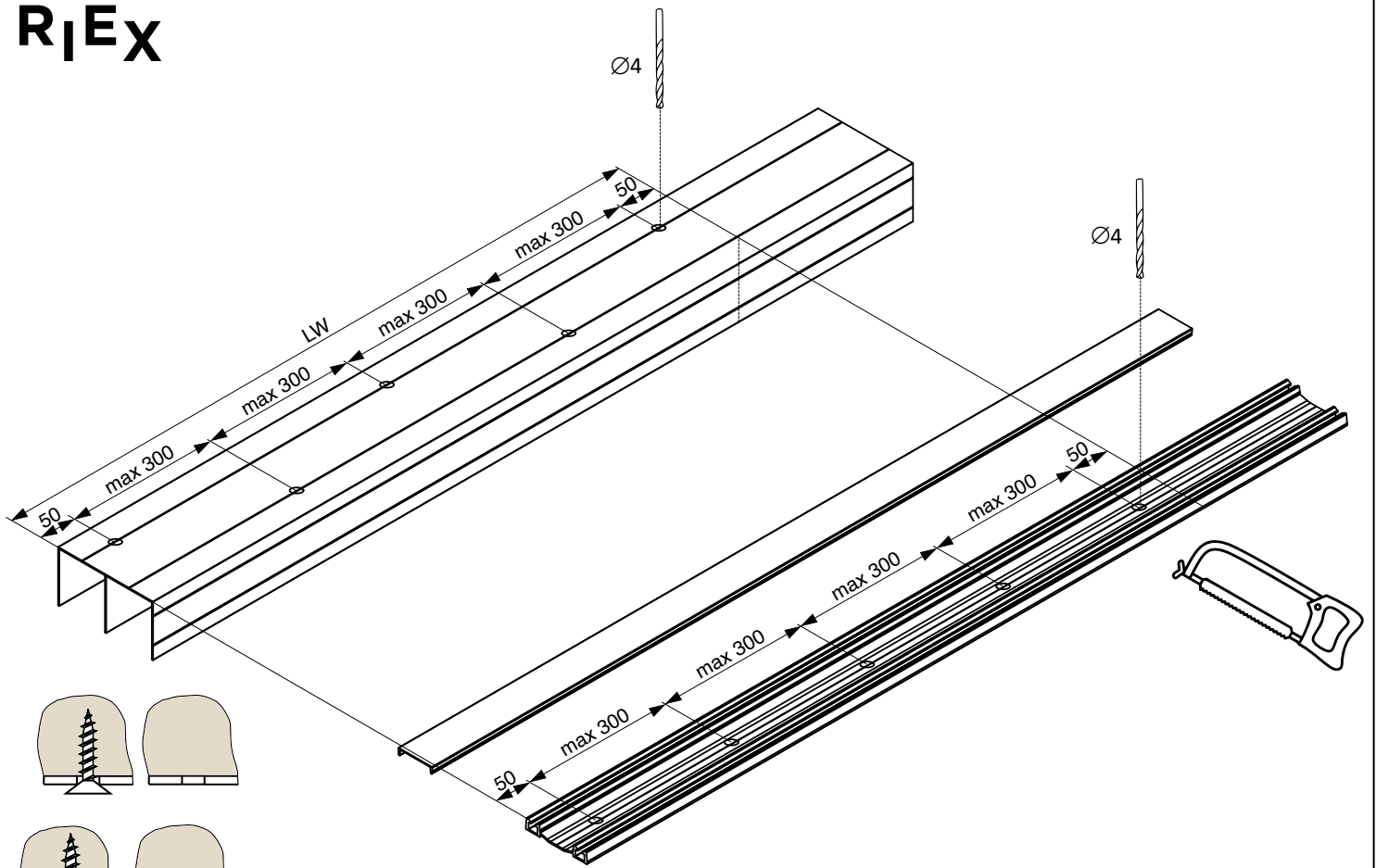
R₁Ex



Z types

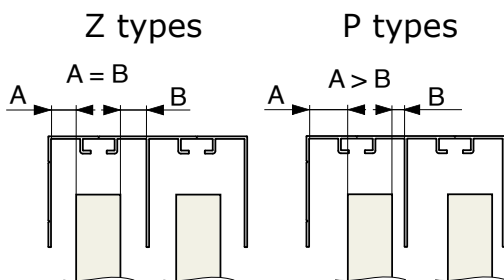
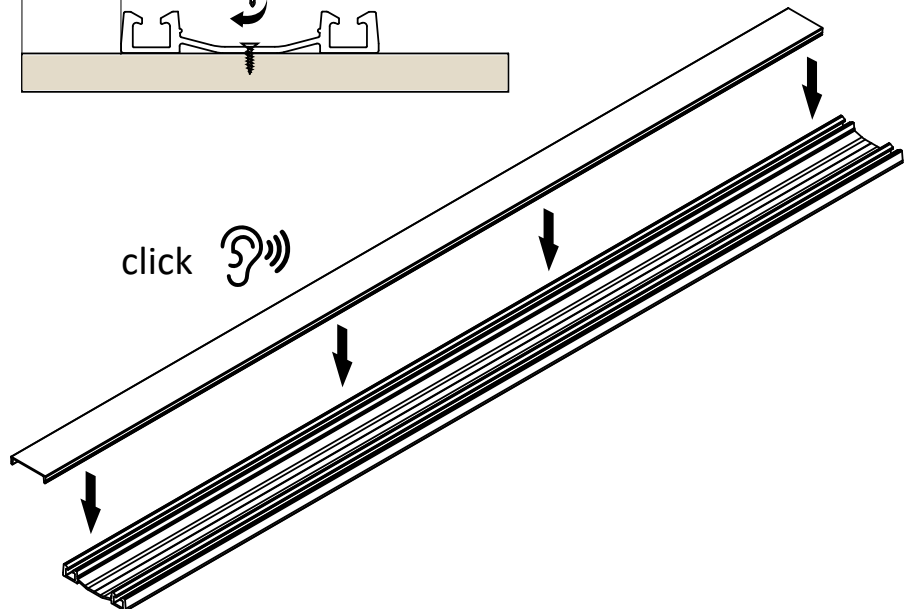
P types



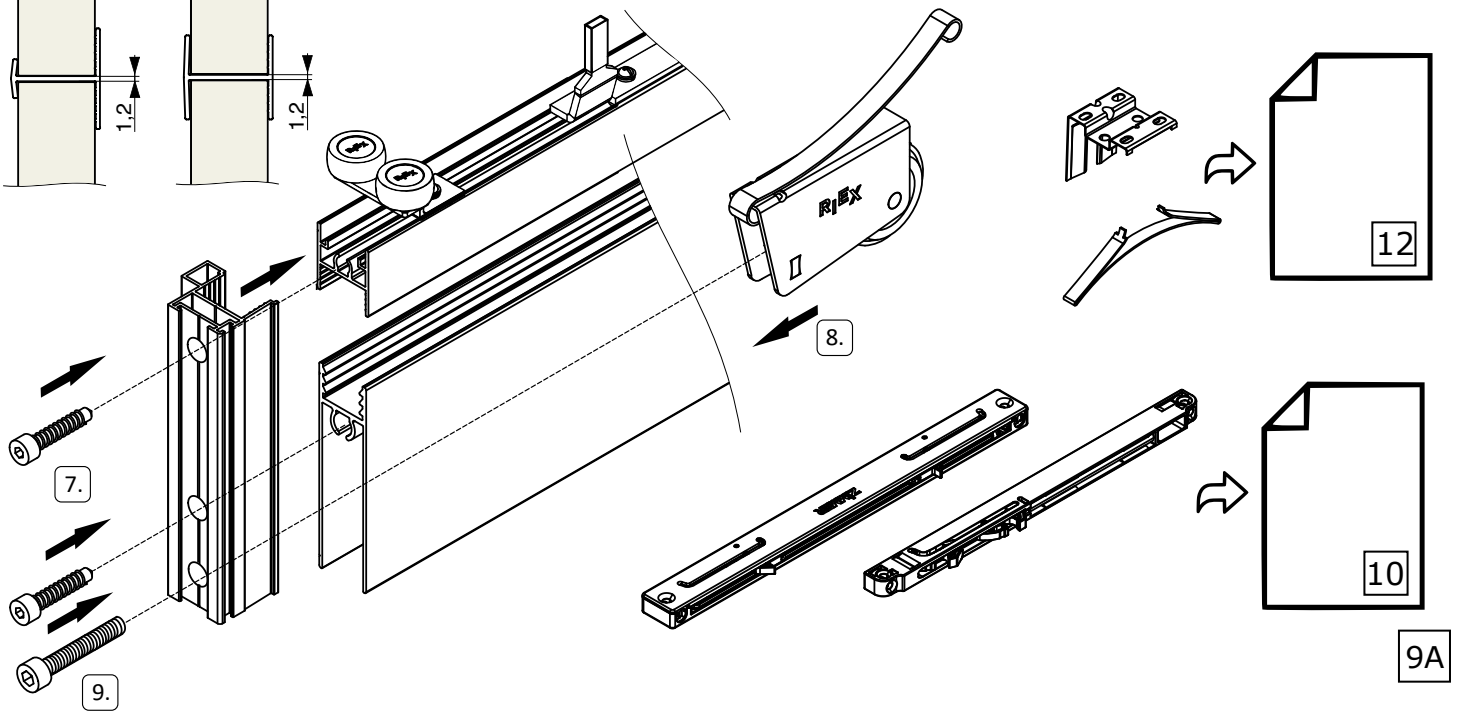
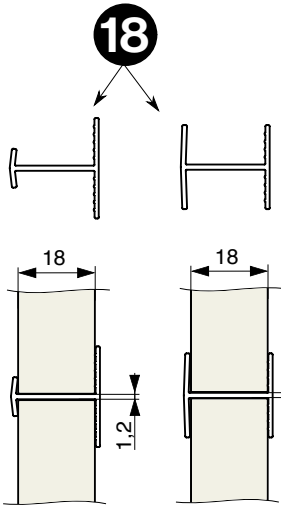
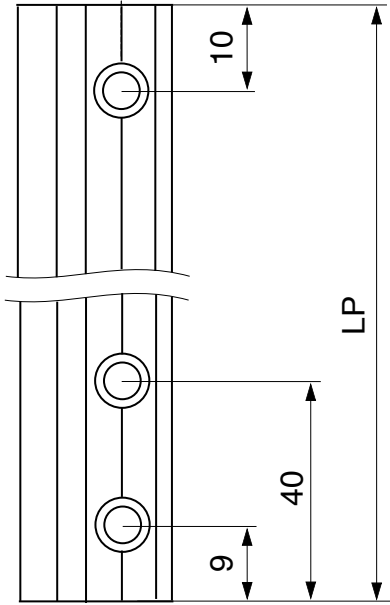
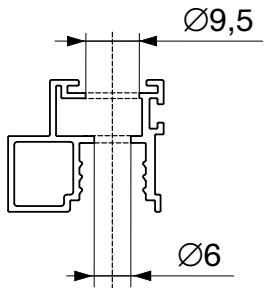


	P types	Z types
X	21	17

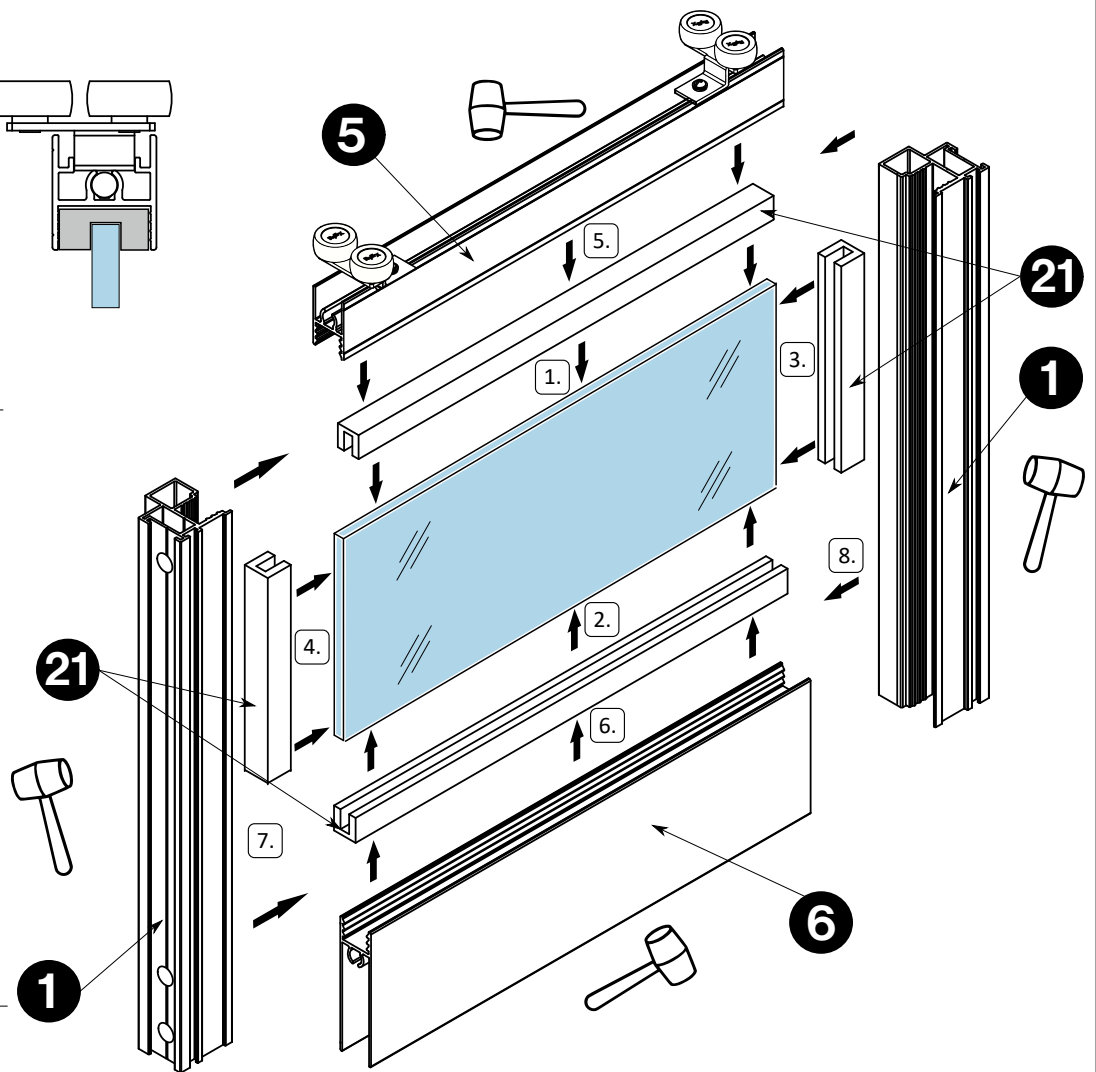
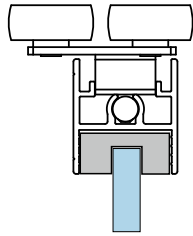
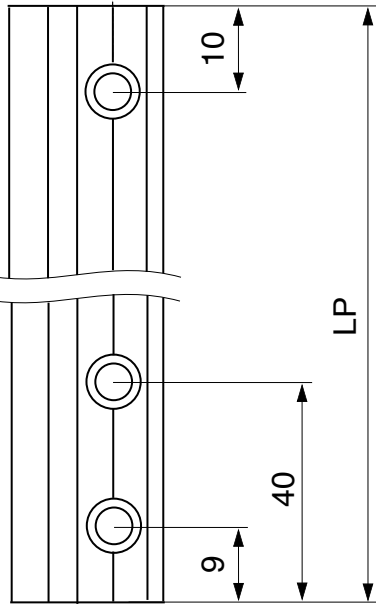
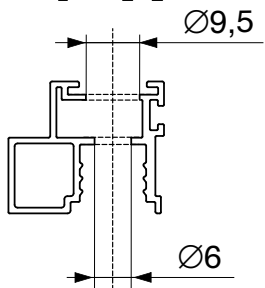
click 



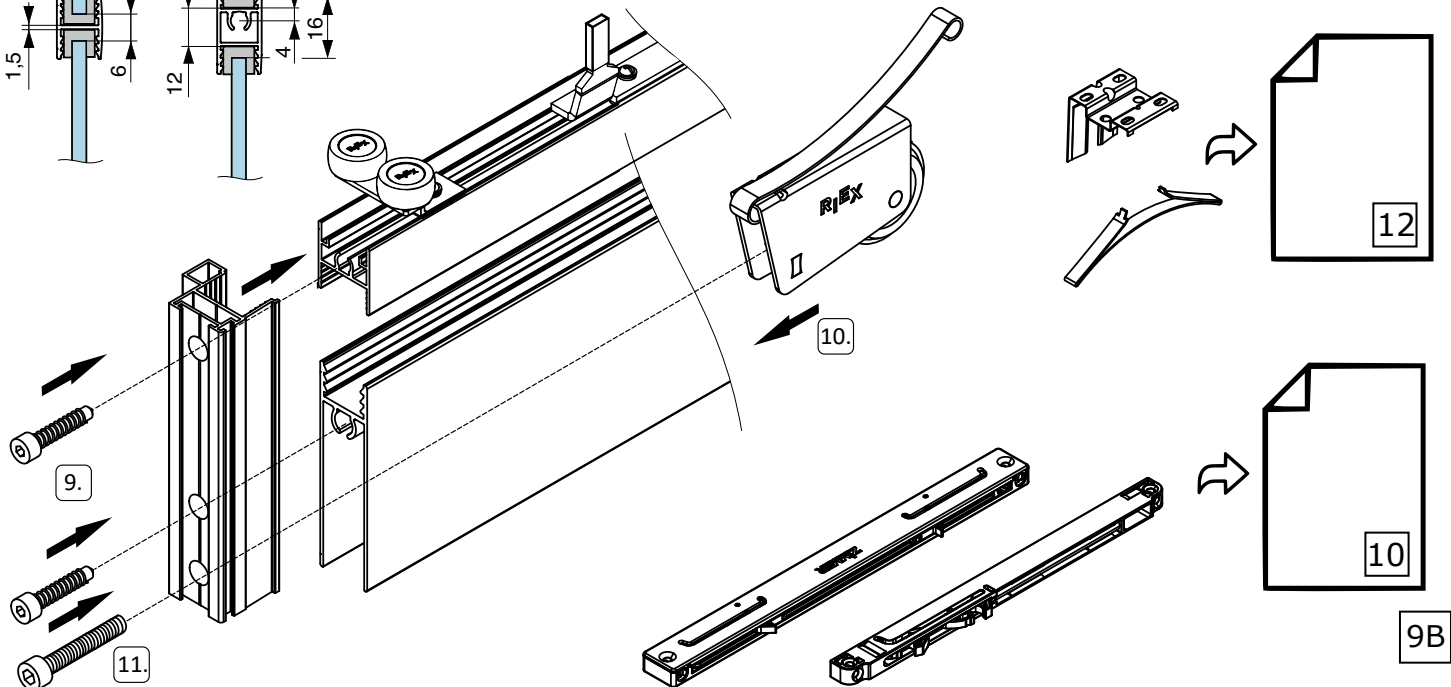
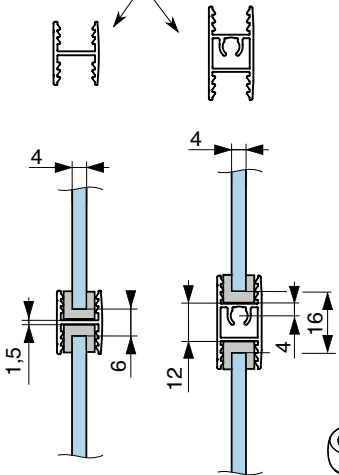
RiEx



RiEx



18

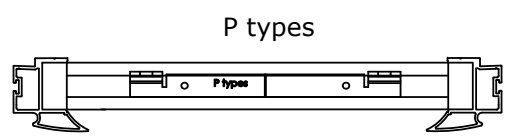
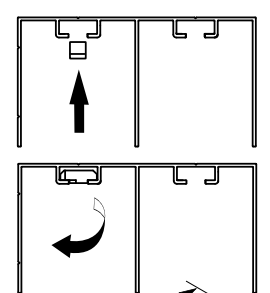
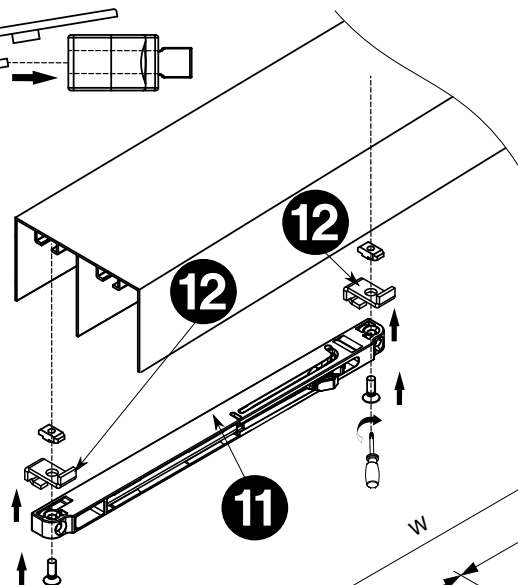
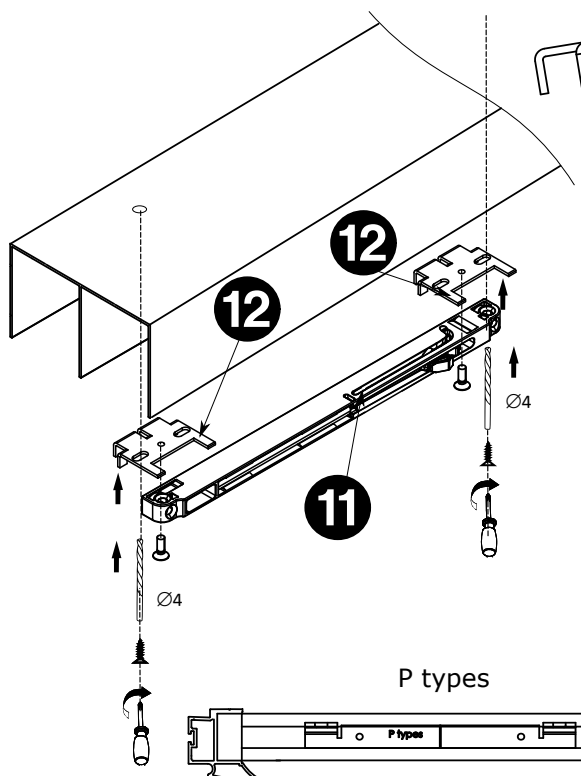
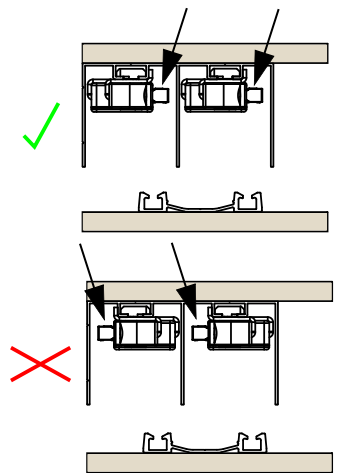
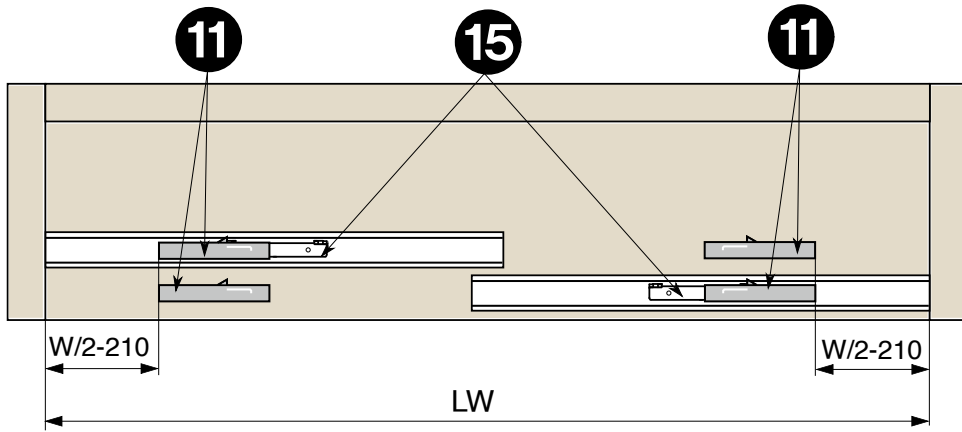
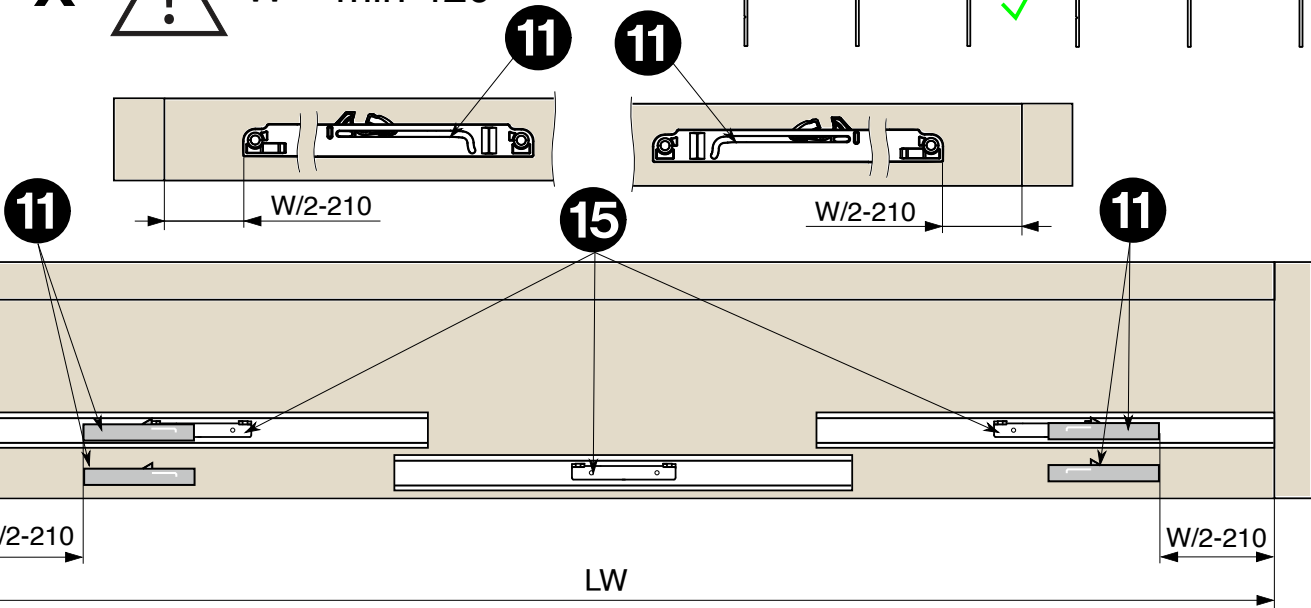
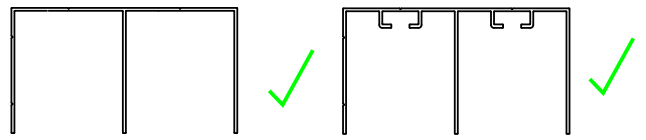


9B

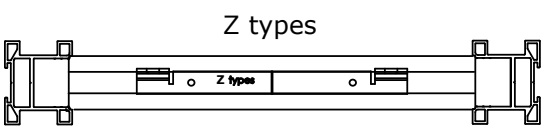
RiEx



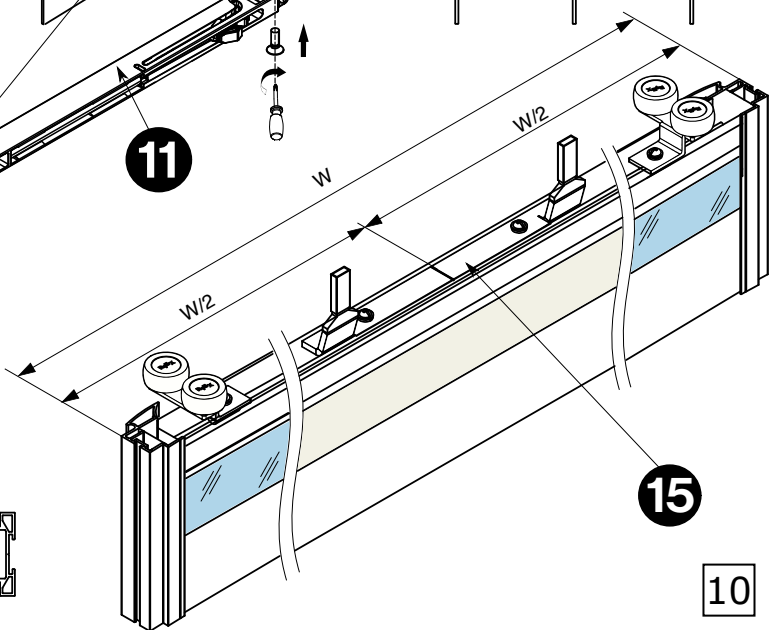
W = min 420



P types



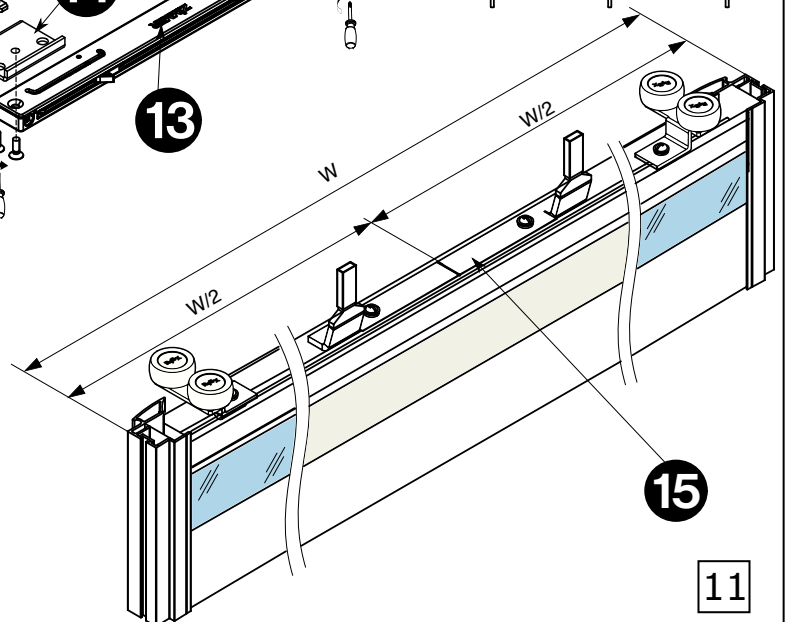
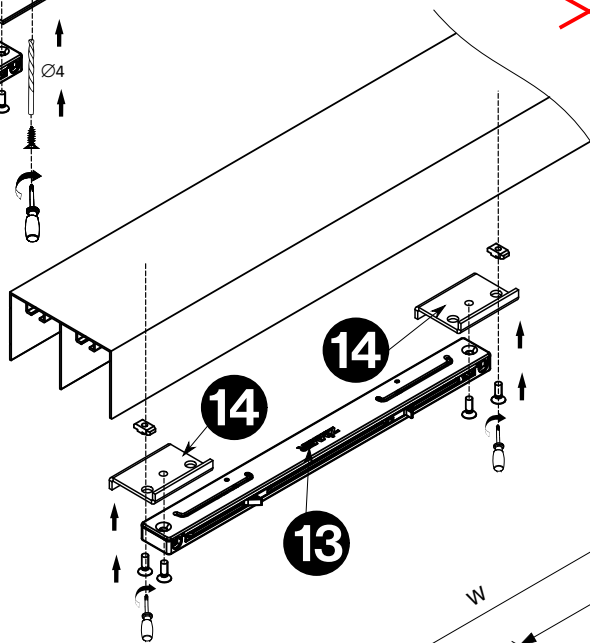
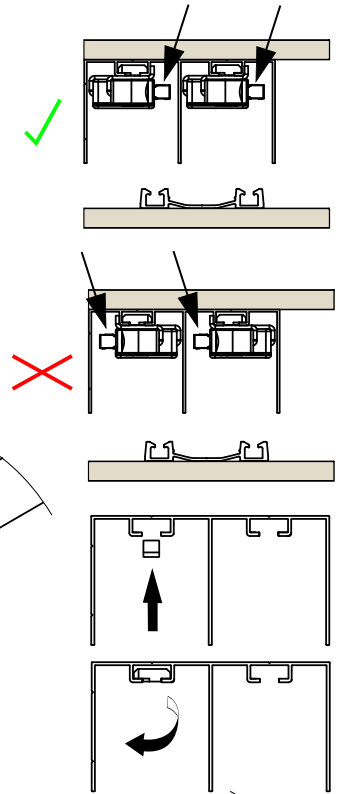
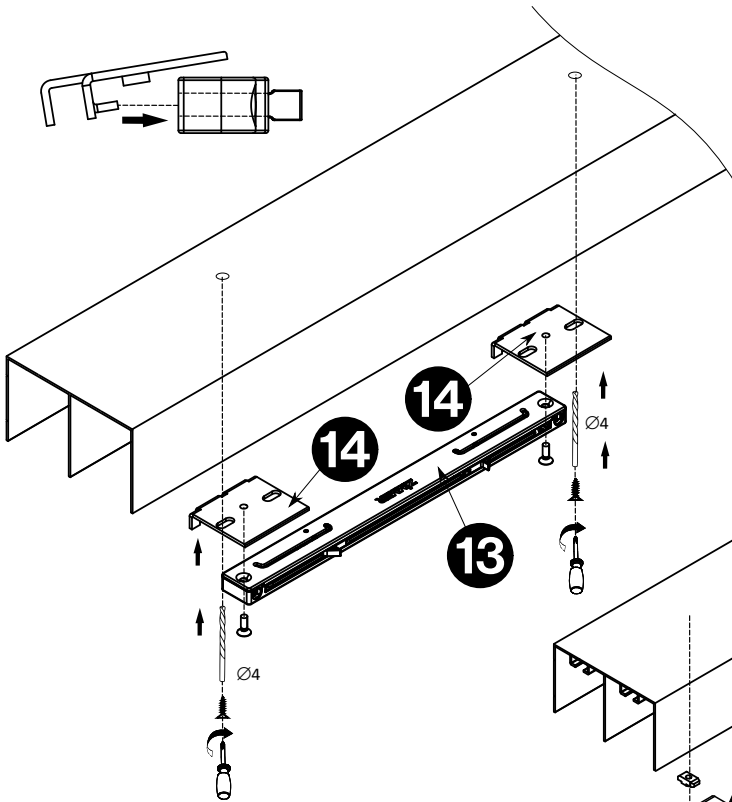
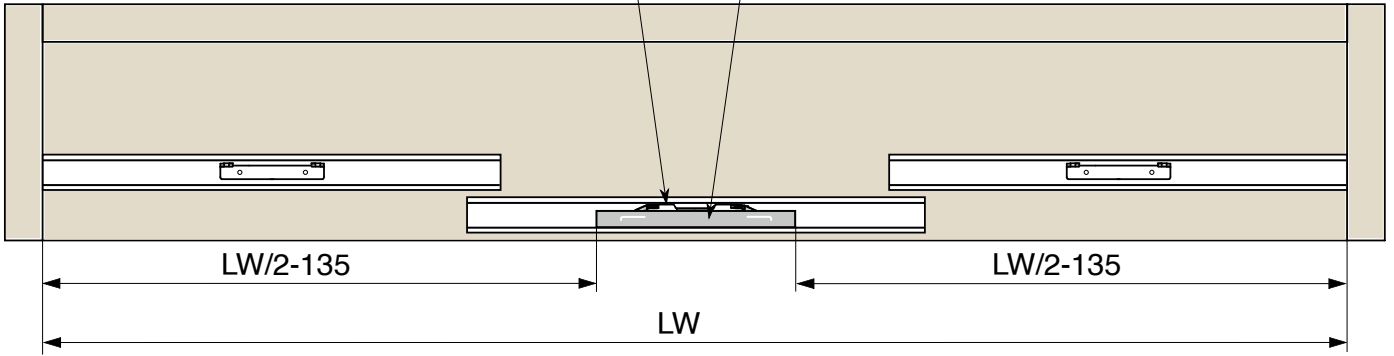
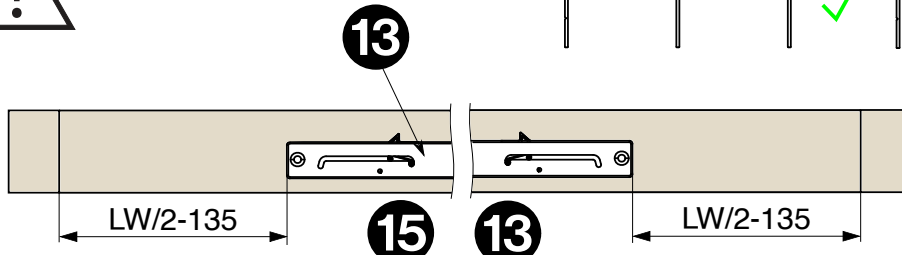
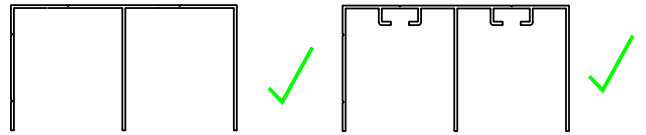
Z types



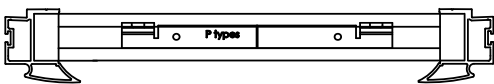
RIEx



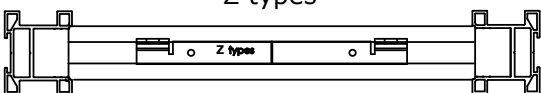
W = min 420



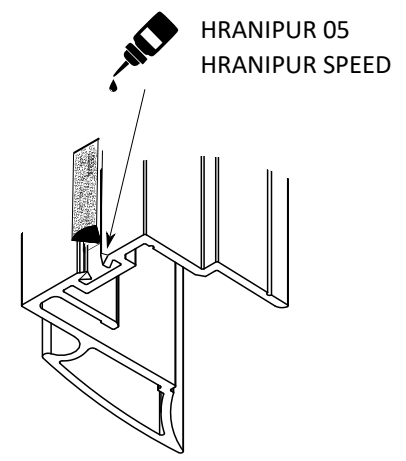
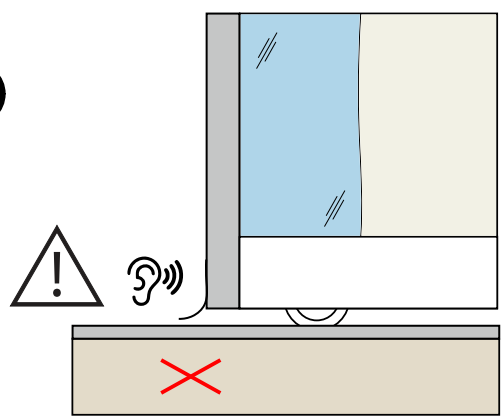
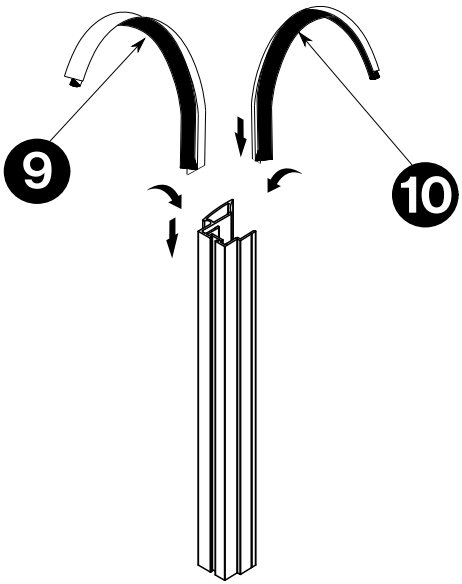
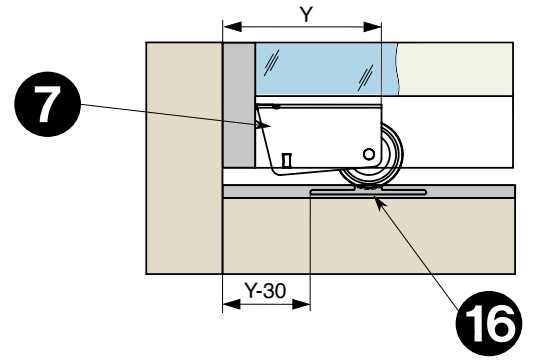
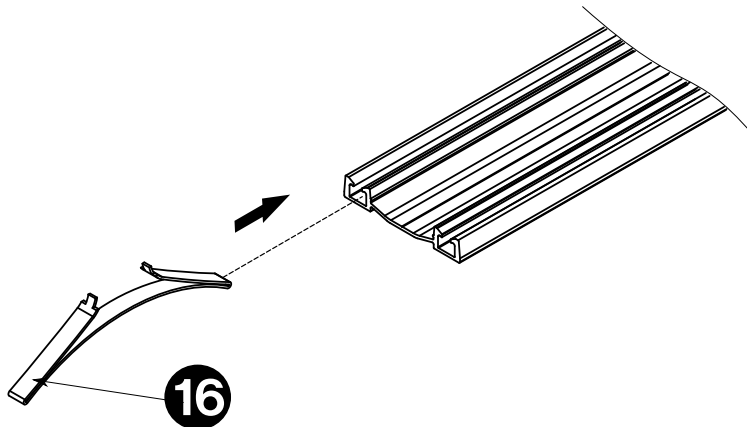
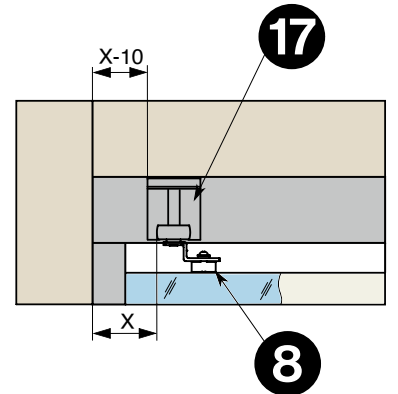
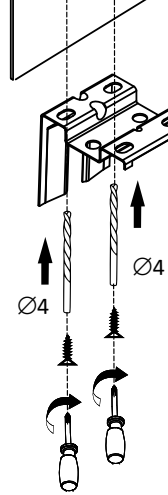
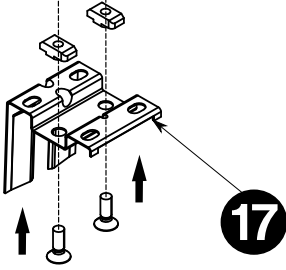
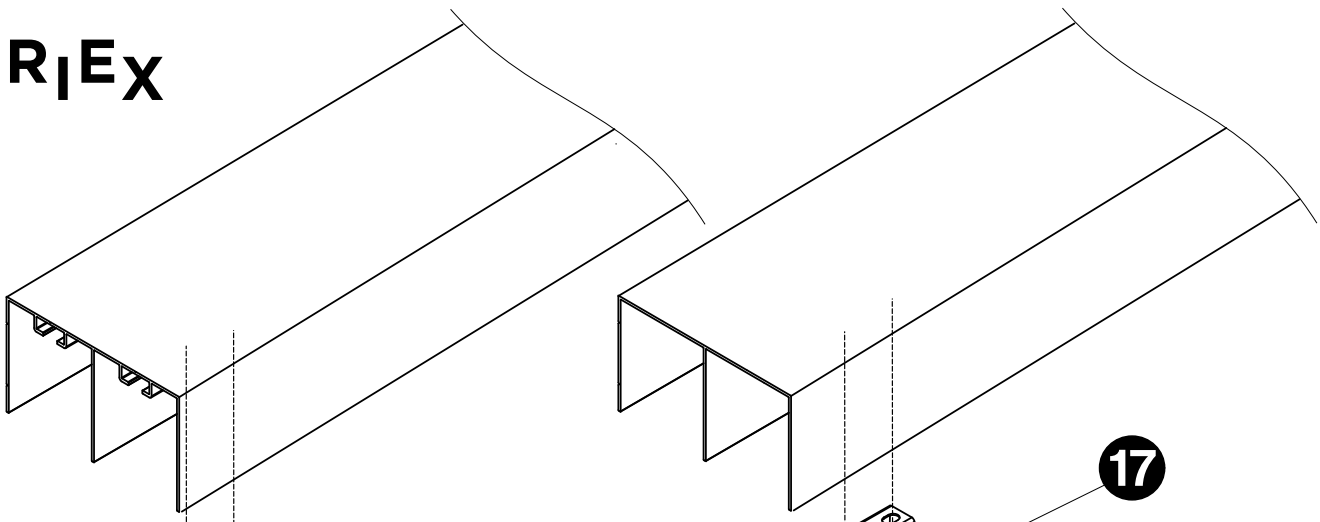
P types



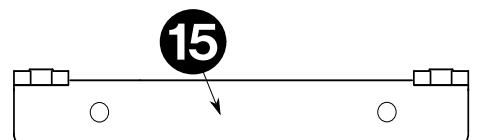
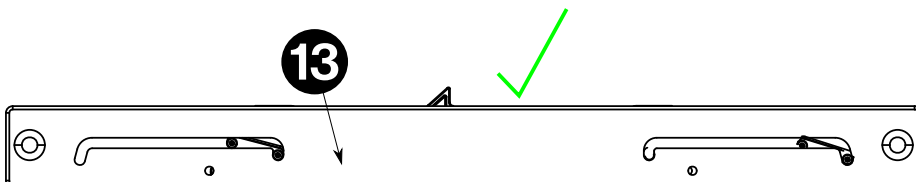
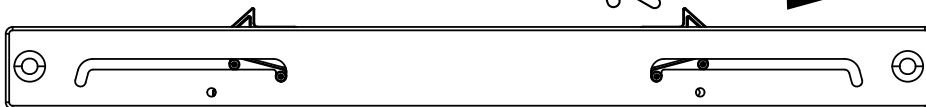
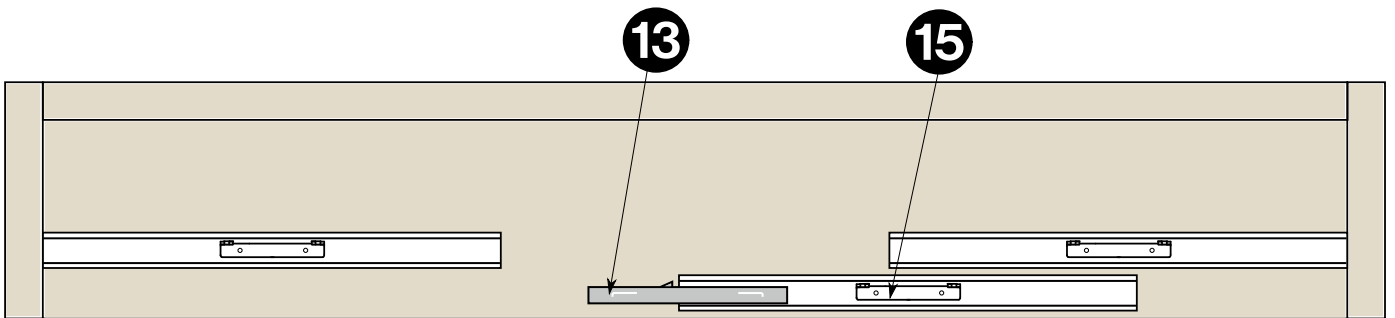
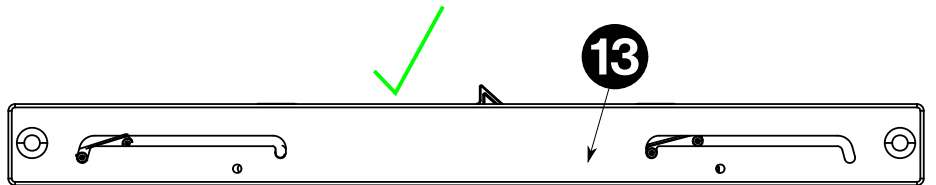
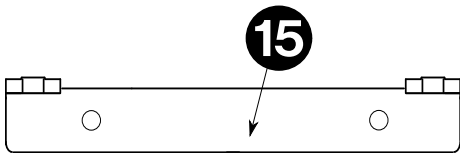
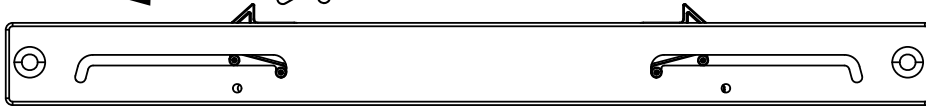
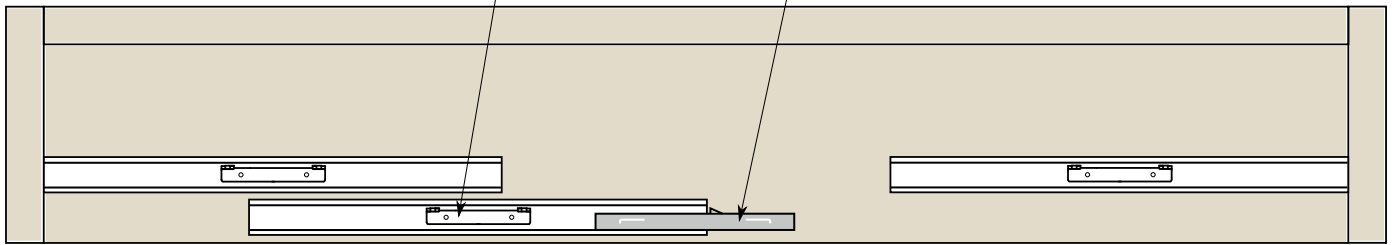
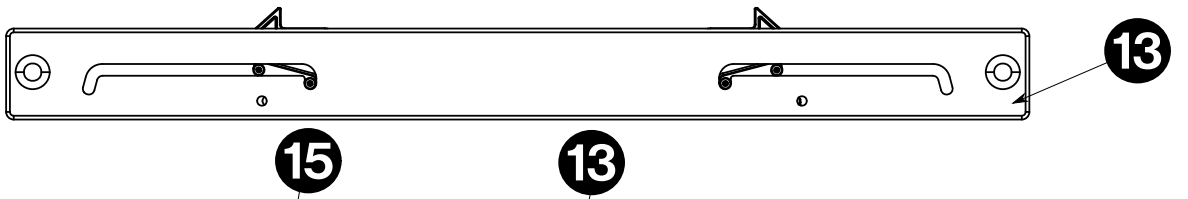
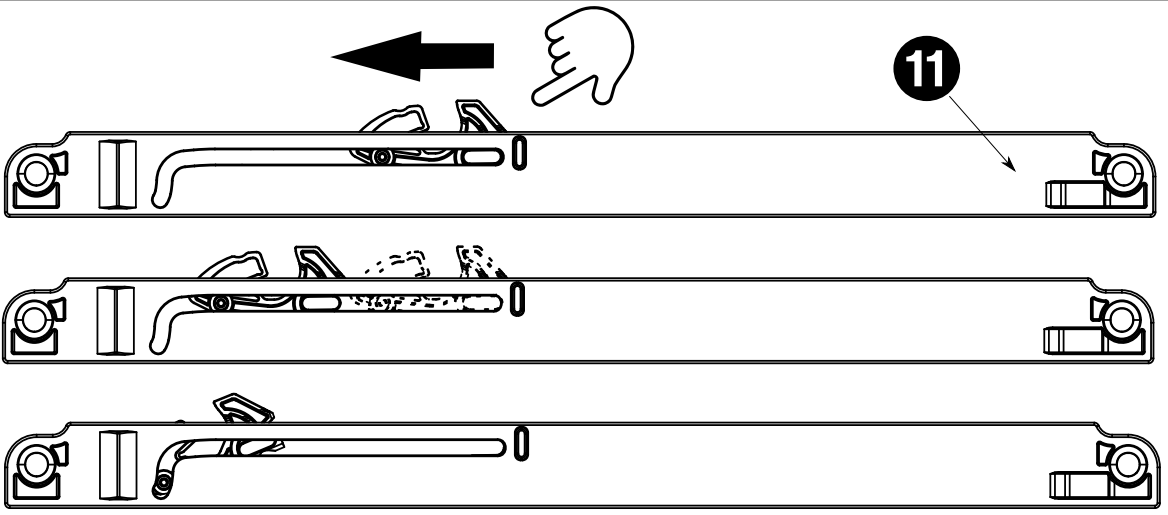
Z types



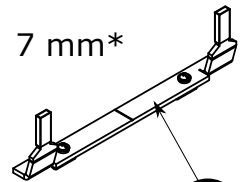
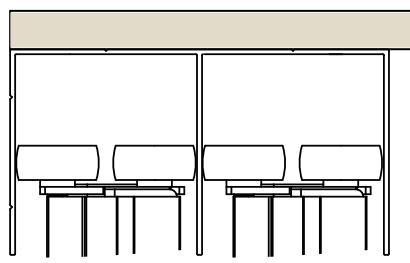
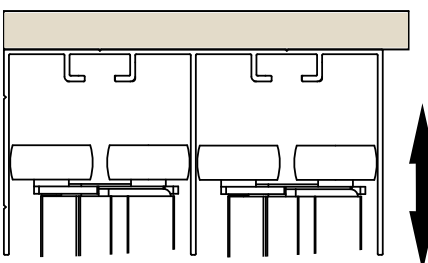
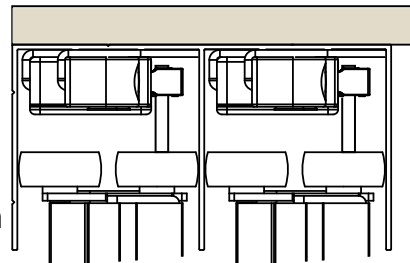
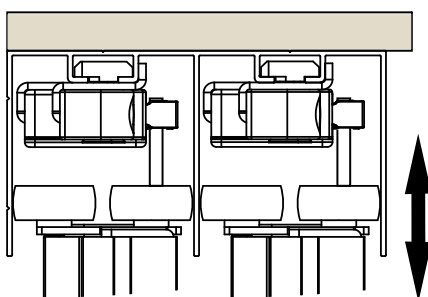
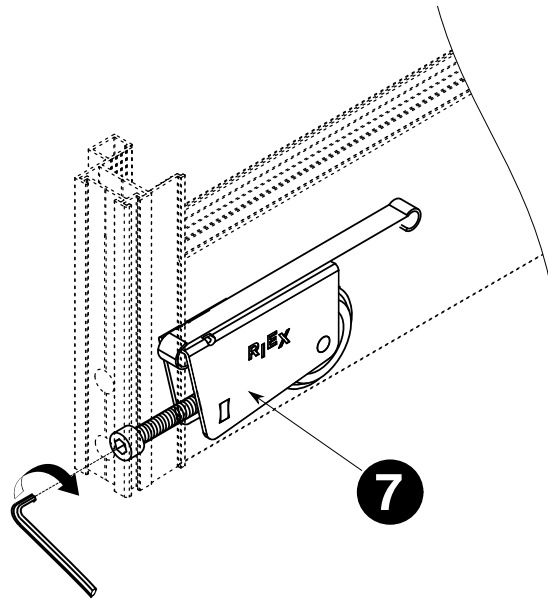
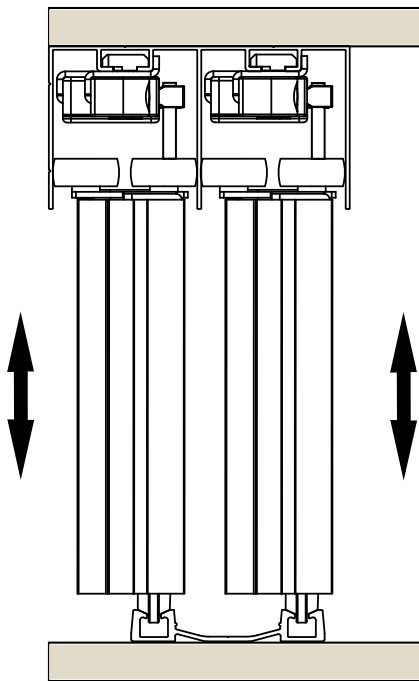
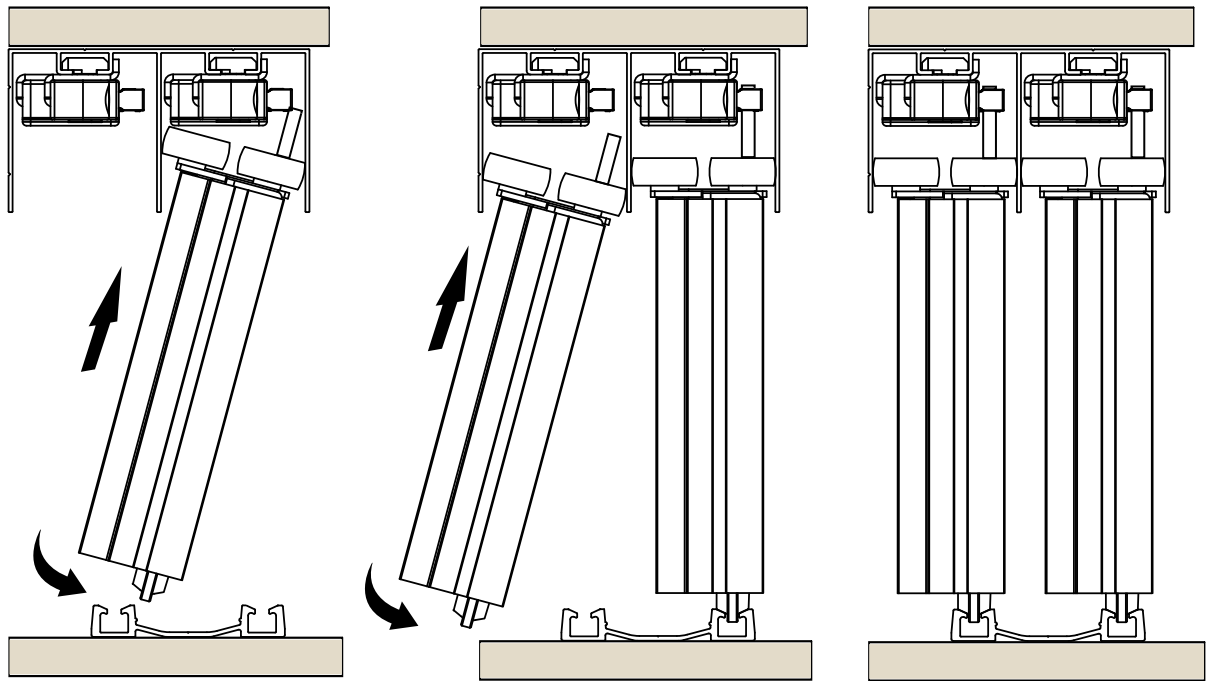
R₁Ex



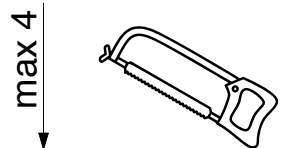
R_IEx



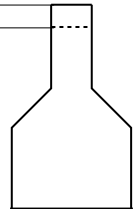
RIEx



15



max 4



14